

CUSTOMER PART No.

CUSTOMER

CAN ART OPEN

DIE No.

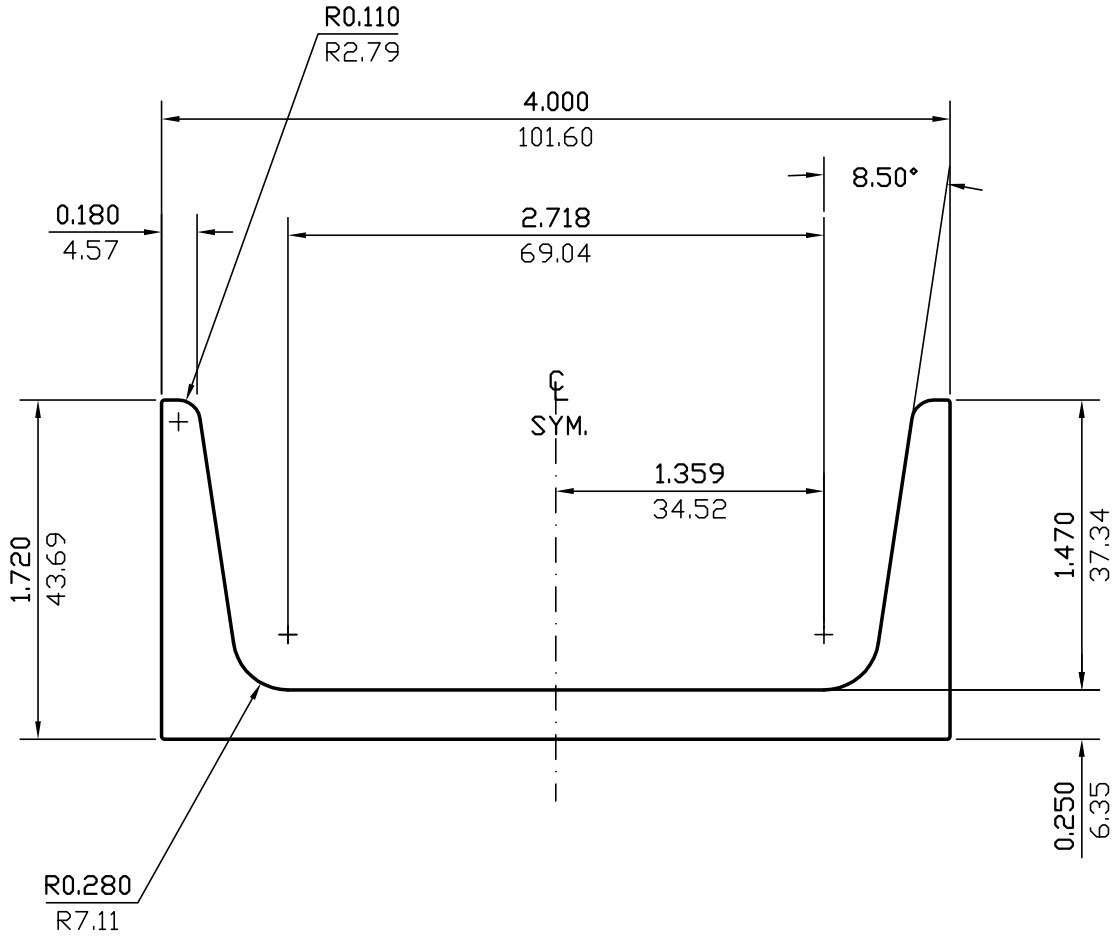
ES60046

DESCRIPTION

WEB CHANNEL

PROPOSAL No.

S-50149



NOTE: BREAK ALL CORNERS WITH 0.015" (.38 MM) RADIUS UNLESS OTHERWISE NOTED. STANDARD TOLERANCES TO APPLY UNLESS OTHERWISE SPECIFIED.

WALL THICKNESS AS SHOWN EXCEPT AS SHOWN

DATE	REV	DESCRIPTION	BY
03/21/23	1	REMOVED ALLOY	JASON
EST.AREA	1.872	IN. ²	EST.AREA 1207.859
			MM. ²
EST.WT.	2.247	LBS/FT.	EST.WT. 3.343
			KG/M.
EST.PER.	13.739	IN.	EST.PER. 348.958
			MM.
OUT PER.		IN.	OUT PER.
			MM.
C.C.D.	4.354	IN.	C.C.D. 110.595
			MM.
FACTOR	6	FINISH	M/F
		ALLOY & TEMP.	
CKD BY	SCALE 1:1	DWN BY	C.P. DATE 07/23/2001

CAN ART

ALUMINUM EXTRUSION INC.

85 PARKSHORE DRIVE
BRAMPTON, ONT L6T 5M1
TEL. NO. (905) 791-1464
FAX NO. (905) 791-9151
E-MAIL: canart@canart.com

THIS DRAWING IS NOT NECESSARILY A COPY OF YOUR ORIGINAL. PLEASE APPROVE DIMENSIONS AND TOLERANCES INDICATED. CAN ART ASSUMES NO RESPONSIBILITY EITHER TECHNICAL OR LEGAL FOR HAVING THIS SHAPE MADE. THE CUSTOMER AGREES TO FULLY PROTECT CAN ART ALUMINUM FROM CLAIMS OF OTHERS RESULTING FROM THIS SHAPE.

SIGNED: _____ DATE: _____