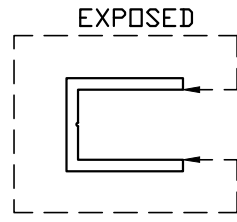
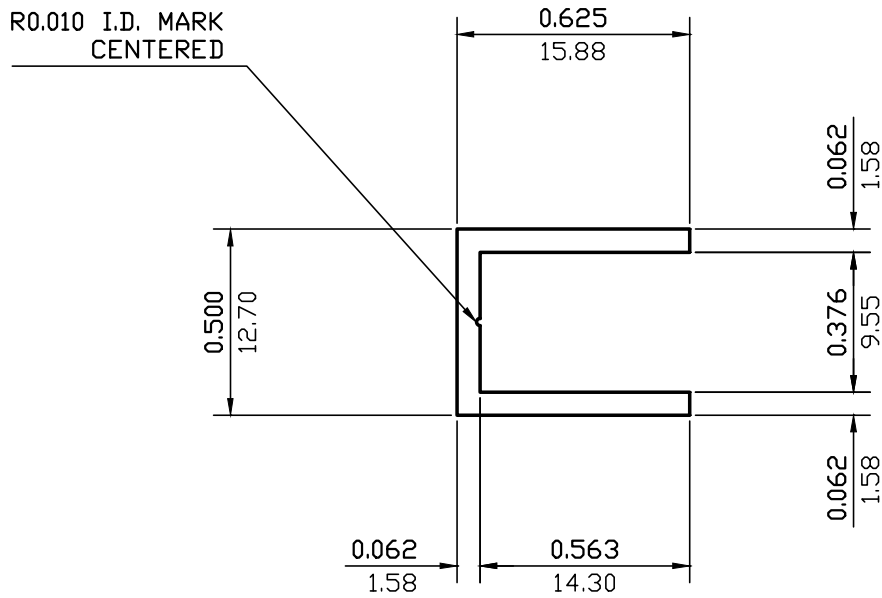


NOTE: BREAK ALL CORNERS WITH 0.015" (.38 MM) RADIUS UNLESS OTHERWISE NOTED. STANDARD TOLERANCES TO APPLY UNLESS OTHERWISE SPECIFIED.

| | | |
|---------------------------------------------------------|---------------------------------|---------------------------|
| CUSTOMER PART No. | CUSTOMER CAN ART STD. | DIE No. ES05190 |
| DESCRIPTION 5/8" x 1/2" x 0.062" THK. CHANNEL | | PROPOSAL No. |



ACTUAL SIZE

WALL THICKNESS **0.062 (1.58)** EXCEPT AS SHOWN

| DATE | REV | DESCRIPTION | BY |
|----------|-----------|--------------------|--------------------|
| | | | |
| | | | |
| EST.AREA | 0.101 | IN. ² | EST.AREA 65 |
| EST.WT. | 0.119 | LBS/FT. | EST.WT. 0.177 |
| EST.PER. | 3.387 | IN. | EST.PER. 86.0 |
| OUT PER. | | IN. | OUT PER. |
| C.C.D. | 0.800 | IN. | C.C.D. 20 |
| FACTOR | 29 | FINISH PAINT/ANOD. | ALLOY & TEMP. 6063 |
| CKD BY | SCALE 2:1 | DWN BY G.M. | DATE 02/07/89 |

CAN ART

ALUMINUM EXTRUSION INC.

85 PARKSHORE DRIVE
BRAMPTON, ONT L6T 5M1
TEL. NO. (905) 791-1464
FAX NO. (905) 791-9151
E-MAIL: canart@canart.com

THIS DRAWING IS NOT NECESSARILY A COPY OF YOUR ORIGINAL. PLEASE APPROVE DIMENSIONS AND TOLERANCES INDICATED. CAN ART ASSUMES NO RESPONSIBILITY EITHER TECHNICAL OR LEGAL FOR HAVING THIS SHAPE MADE. THE CUSTOMER AGREES TO FULLY PROTECT CAN ART ALUMINUM FROM CLAIMS OF OTHERS RESULTING FROM THIS SHAPE.

SIGNED: _____ DATE: _____