

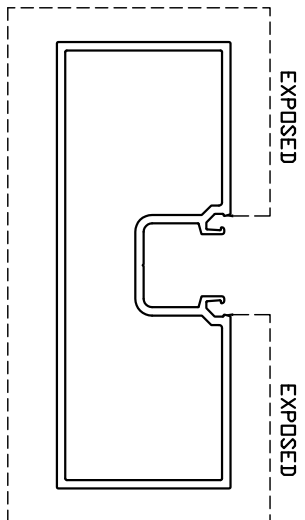
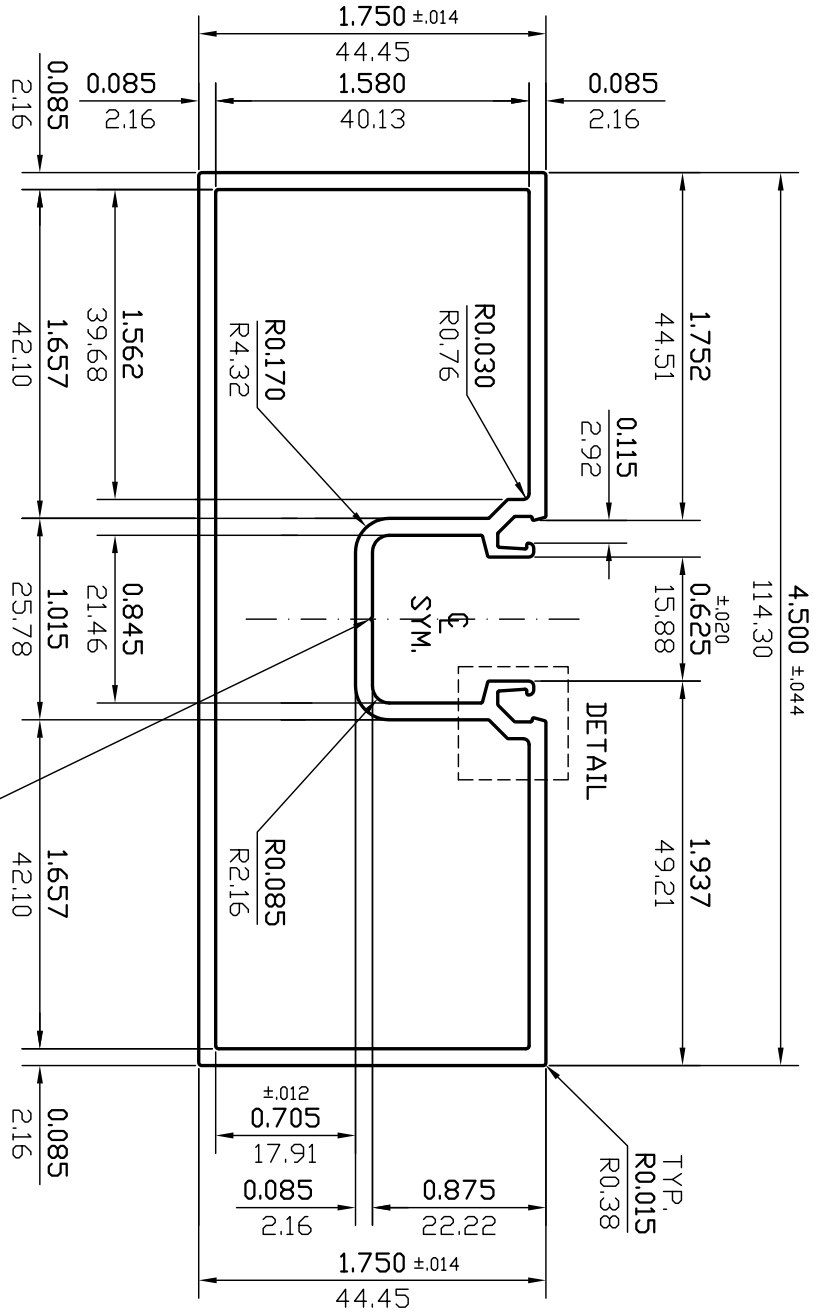
CAN ART OPEN

CUSTOMER DESCRIPTION

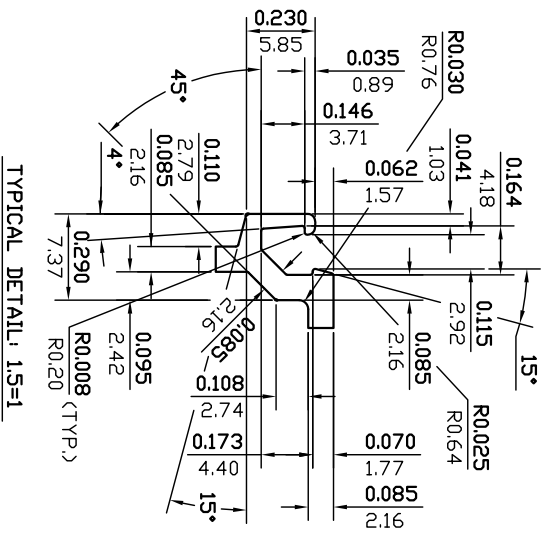
CUSTOMER PART No.

DIE No. **EH17413**
 QUOTE No. **13-0905-2**
 PROPOSAL No. **H-28608**

REV No. **0**



.010 DP x 90°
 V-GROOVE I.D.
 CENTERED



WALL THICKNESS **0.085(2.16)** EXCEPT AS SHOWN

DATE	REV	DESCRIPTION	BY	EST. AREA	1.198	IN ²	EST. AREA	772.868	MM ²
				EST. WT.	1.414	LB/FT.	EST. WT.	2.104	KG/M.
				EST. PER.	28.486	IN.	EST. PER.	723.536	MM.
				OUT PER.	15.227	IN.	OUT PER.	386.8	MM.
				C.C.D.	4.818	IN.	C.C.D.	122.365	MM.
				FINISH	M/F		ALLOY	6063	
				CKD BY	20	FACTOR	SCALE	1:1	
				DWN BY	C.P.	DATE	09/30/2013		

85 PARKSHORE DRIVE
 BRAMPTON, ONT L6T 5M1

TEL. NO. (905) 791-1464
 FAX NO. (905) 791-9151
 WEB: www.canart.com

THIS DRAWING IS NOT NECESSARILY A COPY OF YOUR ORIGINAL. PLEASE APPROVE DIMENSIONS AND TOLERANCES INDICATED. CAN ART ASSUMES NO RESPONSIBILITY EITHER TECHNICAL OR LEGAL FOR HAVING THIS SHAPE MADE. THE CUSTOMER AGREES TO FULLY PROTECT CAN ART ALUMINUM FROM CLAIMS OF OTHERS RESULTING FROM THIS SHAPE.

SIGNED: _____ DATE: _____

NOTE: BREAK ALL CORNERS WITH 0.015" (.38 MM) RADIUS UNLESS OTHERWISE NOTED. STANDARD TOLERANCES TO APPLY UNLESS OTHERWISE SPECIFIED.