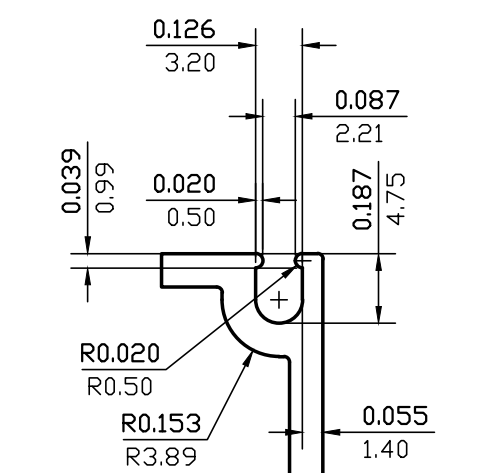
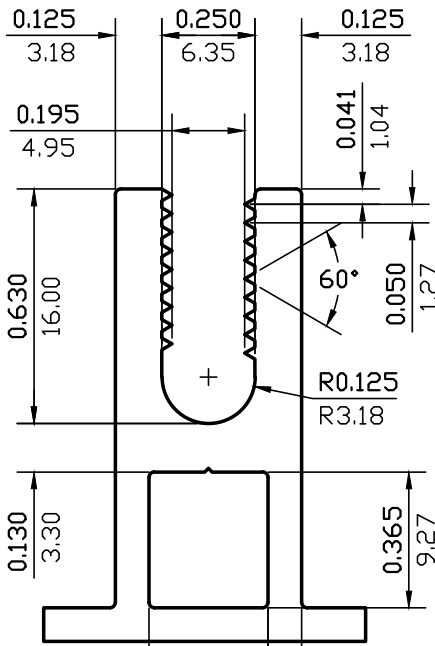


NOTE: BREAK ALL CORNERS WITH 0.015" (.38 MM) RADIUS UNLESS OTHERWISE NOTED. STANDARD TOLERANCES TO APPLY UNLESS OTHERWISE SPECIFIED.

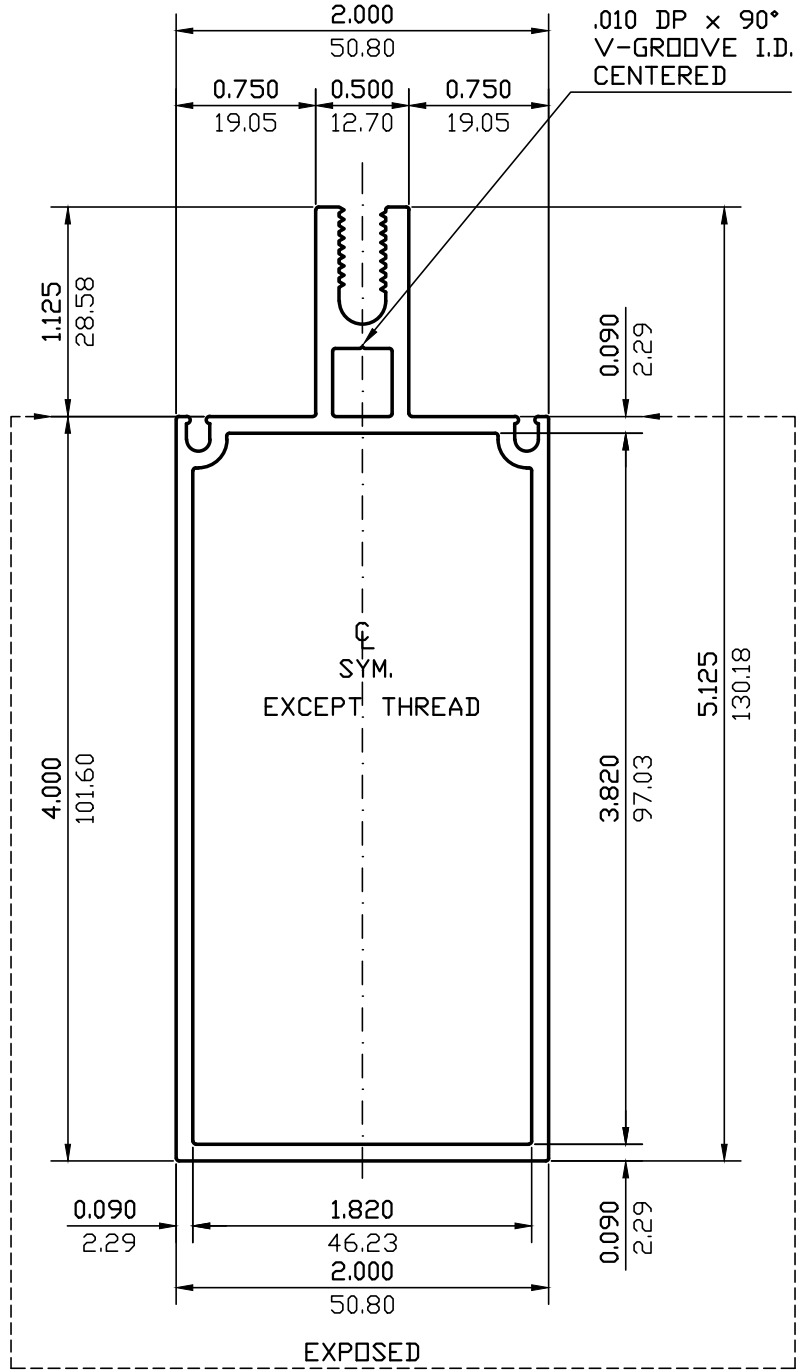
CUSTOMER PART No.	CUSTOMER <b>CAN ART OPEN</b>	DIE No. <b>EH11955</b>
DESCRIPTION	<b>2" x 4" MULLION</b>	PROPOSAL No. <b>H-10201</b>



DETAIL-1: 2x



DETAIL-2: 2x



WALL THICKNESS 0.090(2.29) EXCEPT AS SHOWN

DATE	REV	DESCRIPTION	BY
EST.AREA	1.367	IN. <sup>2</sup>	EST.AREA 881.828
EST.WT.	1.613	LBS/FT.	EST.WT. 2.400
EST.PER.	29.108	IN.	EST.PER. 739.335
OUT PER.	16.645	IN.	OUT PER. 422.8
C.C.D.	5.337	IN.	C.C.D. 135.549
FACTOR	18	FINISH	M/F
ALLOY & TEMP.	6063		
CKD BY	SCALE	DWN BY	DATE
	1:1	C.P.	09/13/2000

# CAN ART

ALUMINUM EXTRUSION INC.

85 PARKSHORE DRIVE  
BRAMPTON, ONT L6T 5M1  
TEL. NO. (905) 791-1464  
FAX NO. (905) 791-9151  
E-MAIL: canart@canart.com

THIS DRAWING IS NOT NECESSARILY A COPY OF YOUR ORIGINAL. PLEASE APPROVE DIMENSIONS AND TOLERANCES INDICATED. CAN ART ASSUMES NO RESPONSIBILITY EITHER TECHNICAL OR LEGAL FOR HAVING THIS SHAPE MADE. THE CUSTOMER AGREES TO FULLY PROTECT CAN ART ALUMINUM FROM CLAIMS OF OTHERS RESULTING FROM THIS SHAPE.

SIGNED: \_\_\_\_\_ DATE: \_\_\_\_\_