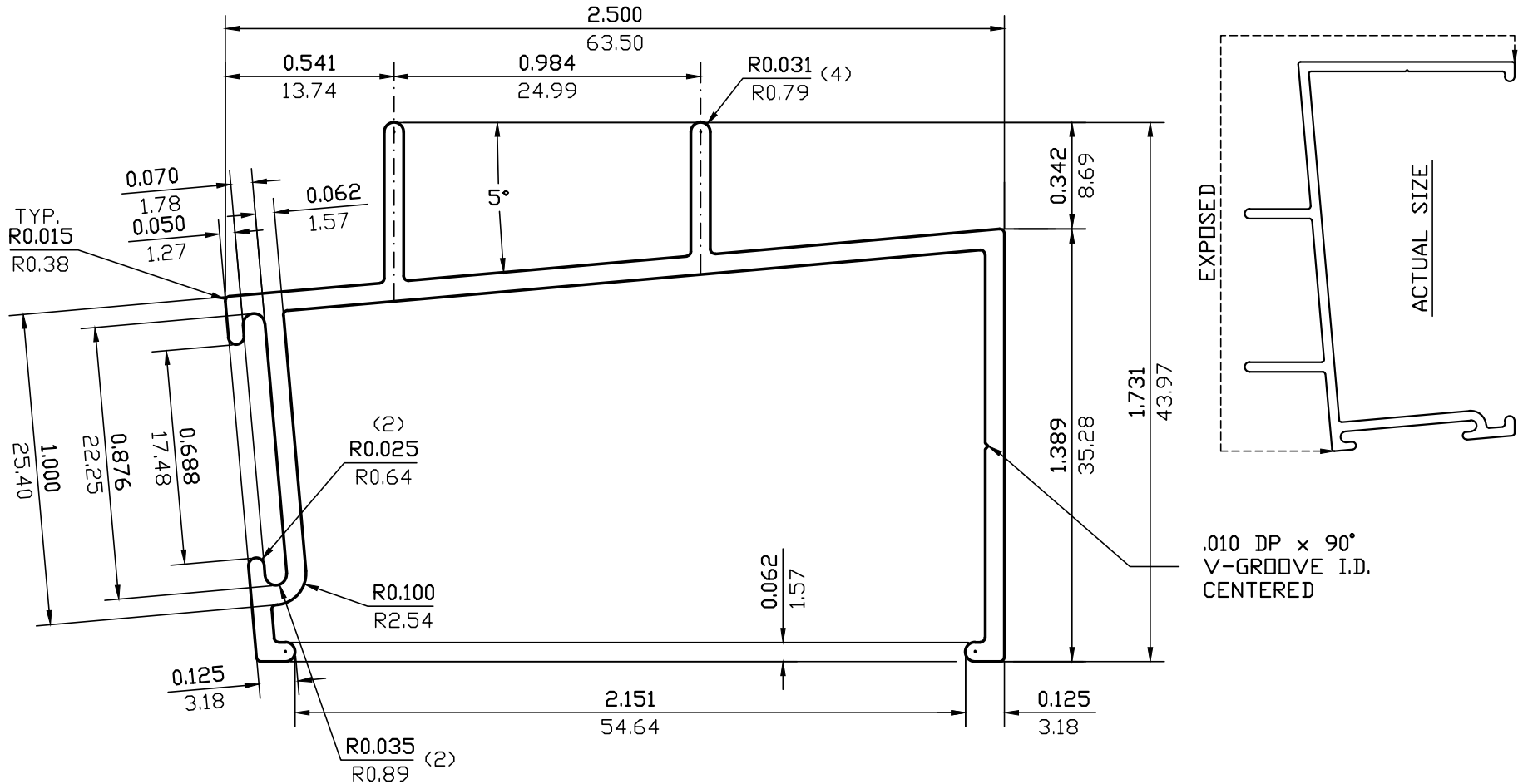


NOTE: BREAK ALL CORNERS WITH 0.015" (.38 MM) RADIUS UNLESS OTHERWISE NOTED. STANDARD TOLERANCES TO APPLY UNLESS OTHERWISE SPECIFIED.

CAN ART

ALUMINUM EXTRUSION INC.

CUSTOMER CAN ART OPEN		DIE No. ES16271	REV No. 0
DESCRIPTION INTERIOR SILL	CUSTOMER PART No.	QUOTE No. 10-1265-2	PROPOSAL No. S-24063



WALL THICKNESS 0.062(1.57) EXCEPT AS SHOWN

DATE	REV	DESCRIPTION	BY	EST.AREA	0.387	IN. ²	EST.AREA	249.415	MM. ²
				EST.WT.	0.456	LBS./FT.	EST.WT.	0.679	KG/M.
				EST.PER.	12.439	IN.	EST.PER.	315.962	MM.
				OUT PER.		IN.	OUT PER.		MM.
				C.C.D.	2.760	IN.	C.C.D.	70.098	MM.
85 PARKSHORE DRIVE BRAMPTON, ONT L6T 5M1				FINISH PAINT		ALLOY 6063			
TEL. NO. (905) 791-1464 FAX NO. (905) 791-9151 WEB: www.canart.com				CKD BY	FACTOR 27	SCALE 2:1	DWN BY C.P.	DATE 03/28/2011	

THIS DRAWING IS NOT NECESSARILY A COPY OF YOUR ORIGINAL. PLEASE APPROVE DIMENSIONS AND TOLERANCES INDICATED. CAN ART ASSUMES NO RESPONSIBILITY EITHER TECHNICAL OR LEGAL FOR HAVING THIS SHAPE MADE. THE CUSTOMER AGREES TO FULLY PROTECT CAN ART ALUMINUM FROM CLAIMS OF OTHERS RESULTING FROM THIS SHAPE.

SIGNED: _____ DATE: _____