

CAN ART

ALUMINUM EXTRUSION INC.

CUSTOMER

CAN ART OPEN

DIE No.

ES09545

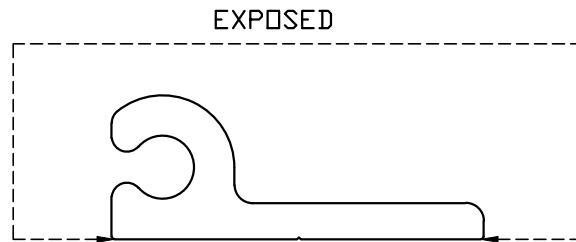
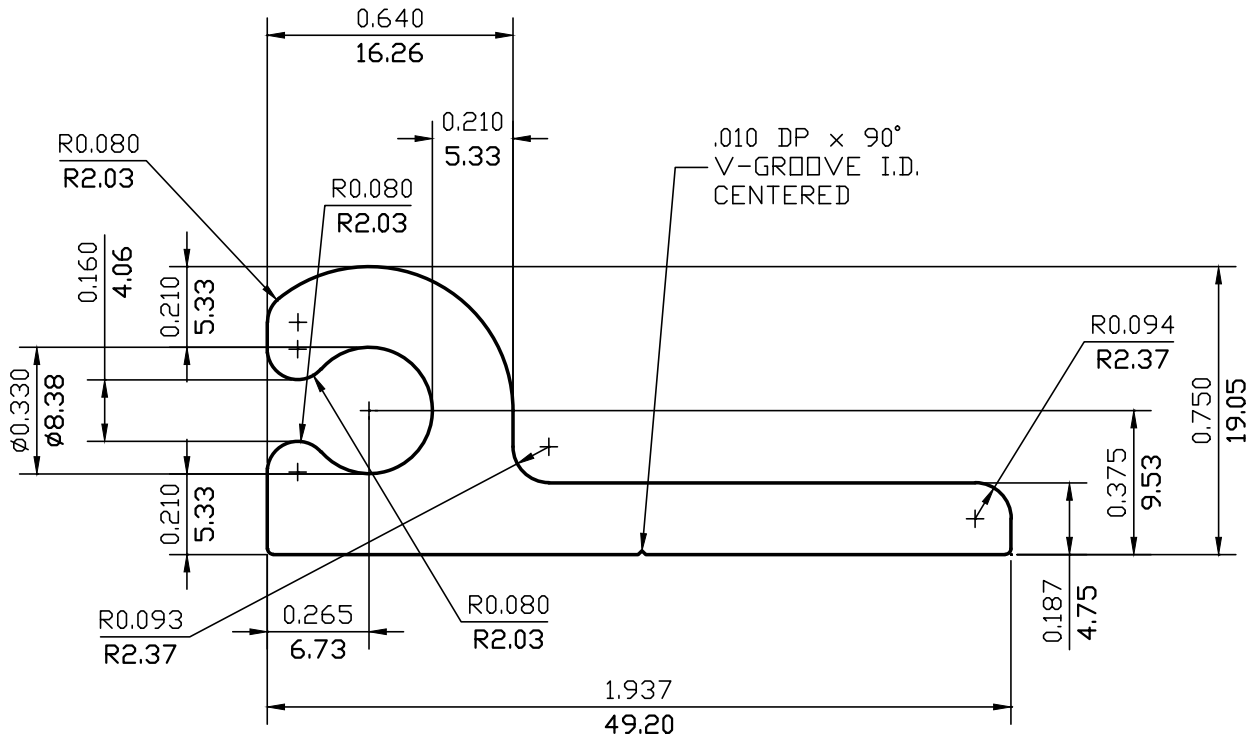
DESCRIPTION

HINGE

PROPOSAL No.

S-7210

CUSTOMER No.



ACTUAL SIZE

WALL THICKNESS (AS SHOWN)
EXCEPT AS SHOWN

DATE	SYM	REVISION	BY

EST.AREA	0.577	IN. ²	EST.AREA	372	MM. ²
EST.WT.	0.693	LBS/FT.	EST.WT.	1.031	KG/M.
EST.PER.	5.914	IN.	EST.PER.	150.2	MM.
OUT PER.		IN.	OUT PER.		MM.
C.C.D.	2.025	IN.	C.C.D.	51	MM.
FACTOR	9	SCALE	2:1	DATE	01/05/98

THIS DRAWING IS NOT NECESSARILY A COPY OF YOUR ORIGINAL. PLEASE APPROVE DIMENSIONS AND TOLERANCES INDICATED. CAN ART ASSUMES NO RESPONSIBILITY EITHER TECHNICAL OR LEGAL FOR HAVING THIS SHAPE MADE. THE CUSTOMER AGREES TO FULLY PROTECT CAN ART ALUMINUM FROM CLAIMS OF OTHERS RESULTING FROM THIS SHAPE.

NOTE: BREAK ALL CORNERS WITH 0.015" (.38 MM) RADIUS UNLESS OTHERWISE NOTED.

DWN BY **C.P.**

STANDARD TOLERANCES TO APPLY UNLESS OTHERWISE SPECIFIED.

CKD BY

PLEASE SIGN:

EXT. RATIO

CONTAINER **7**

FINISH **M/F**

ALLOY & TEMP. **6063-T6**

DATE: _____