

CUSTOMER

CAN ART OPEN

DIE No.

EH61706

REV. No.

0

DESCRIPTION

3.000" x 2.000" x 0.090" THK. REC. TUBE

CUSTOMER PART No.

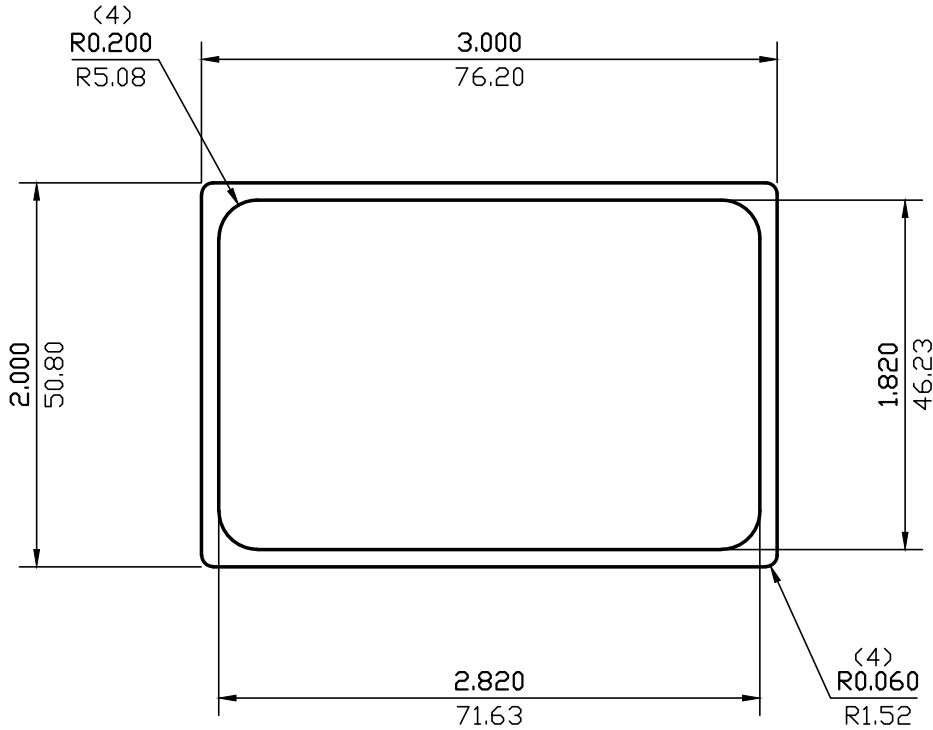
QUOTE No.

L06-0188

PROPOSAL No.

H-54229

NOTE: BREAK ALL CORNERS WITH 0.015" (.38 MM) RADIUS UNLESS OTHERWISE NOTED. STANDARD TOLERANCES TO APPLY UNLESS OTHERWISE SPECIFIED.



WALL THICKNESS 0.090 (2.29) EXCEPT AS SHOWN

| DATE | REV | DESCRIPTION | BY |
|----------|-----------|------------------|-----------------------------|
| | | | |
| | | | |
| EST.AREA | 0.899 | IN. ² | EST.AREA 579.904 |
| EST.WT. | 1.079 | LBS/FT. | EST.WT. 1.605 |
| EST.PER. | 18.834 | IN. | EST.PER. 478.374 |
| OUT PER. | 9.897 | IN. | OUT PER. 251.4 |
| C.C.D. | 3.559 | IN. | C.C.D. 90.406 |
| FINISH | M/F | ALLOY | 6005A-T5 |
| CKD BY | FACTOR 17 | SCALE 1:1 | DWN BY J.T. DATE 07/31/2007 |

CAN ART

428 JUTRAS DRIVE S.
WINDSOR, ON N8N 5C5
TEL. NO. (519) 727-4399
FAX NO. (519) 727-6434
WEB: www.canart.com

ALUMINUM EXTRUSION INC.

THIS DRAWING IS NOT NECESSARILY A COPY OF YOUR ORIGINAL. PLEASE APPROVE DIMENSIONS AND TOLERANCES INDICATED. CAN ART ASSUMES NO RESPONSIBILITY EITHER TECHNICAL OR LEGAL FOR HAVING THIS SHAPE MADE. THE CUSTOMER AGREES TO FULLY PROTECT CAN ART ALUMINUM FROM CLAIMS OF OTHERS RESULTING FROM THIS SHAPE.

SIGNED: _____ DATE: _____