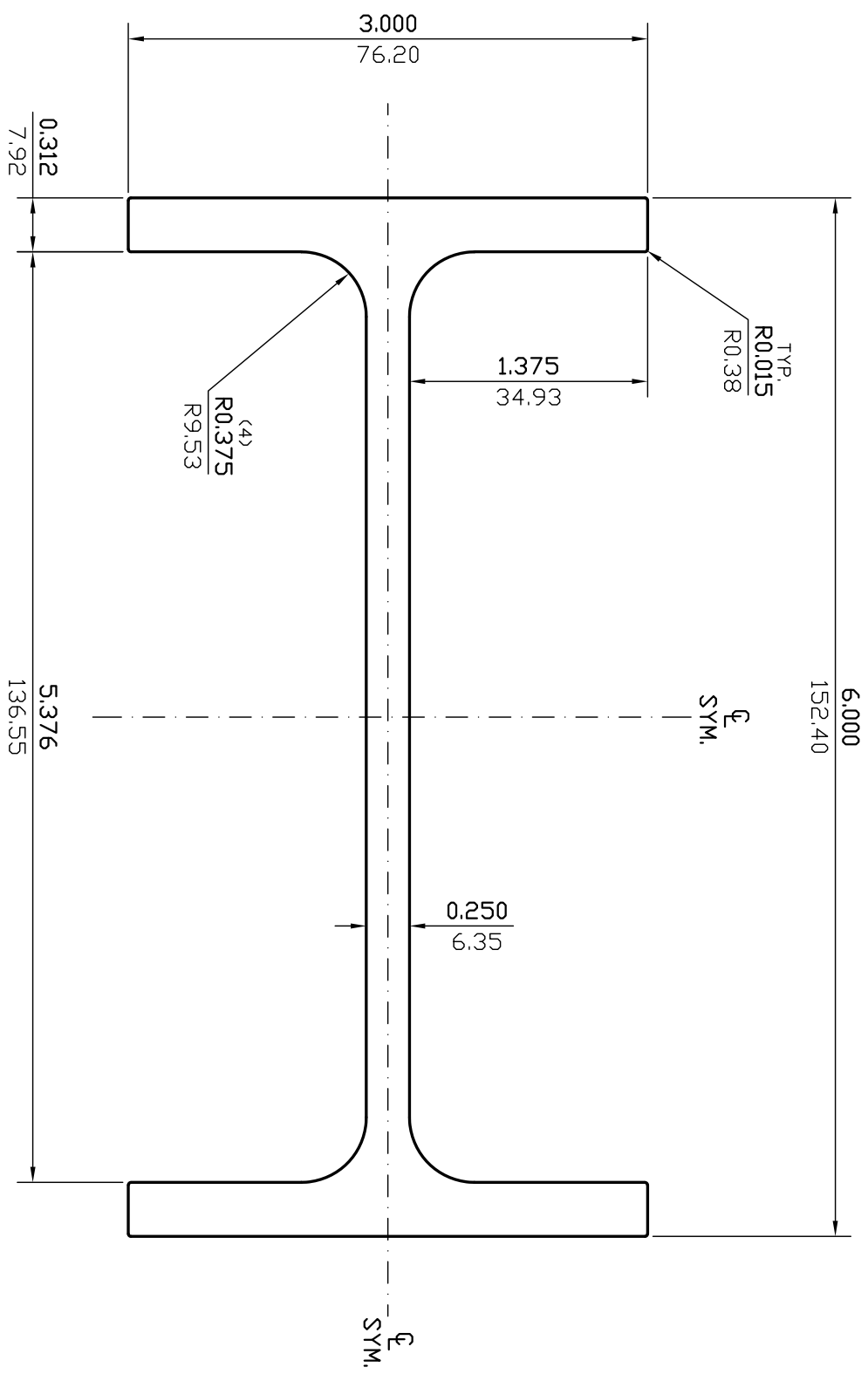


CAN ART

ALUMINUM EXTRUSION INC.

CUSTOMER	CAN ART STD		DIE No.	ES04028	REV No.	1
DESCRIPTION	6.000" x 3.000" I-BEAM	CUSTOMER PART No.	QUOTE No.	14-0935-1	PROPOSAL No.	S-30605



WALL THICKNESS 0.250(6.35) EXCEPT AS SHOWN

DATE	REV	DESCRIPTION	BY	EST. AREA	3.336	IN ²	EST. AREA	2152.482	MM ²			
03/21/23	1	REMOVED ALLOY	JASON	EST. WT.	3.937	LBS./FT.	EST. WT.	5.859	KG./M.			
				EST. PER.	22.805	IN.	EST. PER.	579.239	MM.			
				OUT PER.		IN.	OUT PER.		MM.			
				C.C.D.	6.696	IN.	C.C.D.	170.089	MM.			
				FINISH	M/F		ALLOY					
				OKD BY	FACTOR	6	SCALE	1:1	DWN BY	D.L.	DATE	09/11/2014

85 PARKSHORE DRIVE
BRAMPTON, ONT L6T 5M1

TEL. NO. (905) 791-1464
FAX NO. (905) 791-9151
WEB: www.canart.com

THIS DRAWING IS NOT NECESSARILY A COPY OF YOUR ORIGINAL. PLEASE APPROVE DIMENSIONS AND TOLERANCES INDICATED. CAN ART ASSUMES NO RESPONSIBILITY EITHER TECHNICAL OR LEGAL FOR HAVING THIS SHAPE MADE. THE CUSTOMER AGREES TO FULLY PROTECT CAN ART ALUMINUM FROM CLAIMS OF OTHERS RESULTING FROM THIS SHAPE.

SIGNED: _____ DATE: _____