

CUSTOMER PART No.

CUSTOMER

CAN ART STD.

DIE No.

ES05604

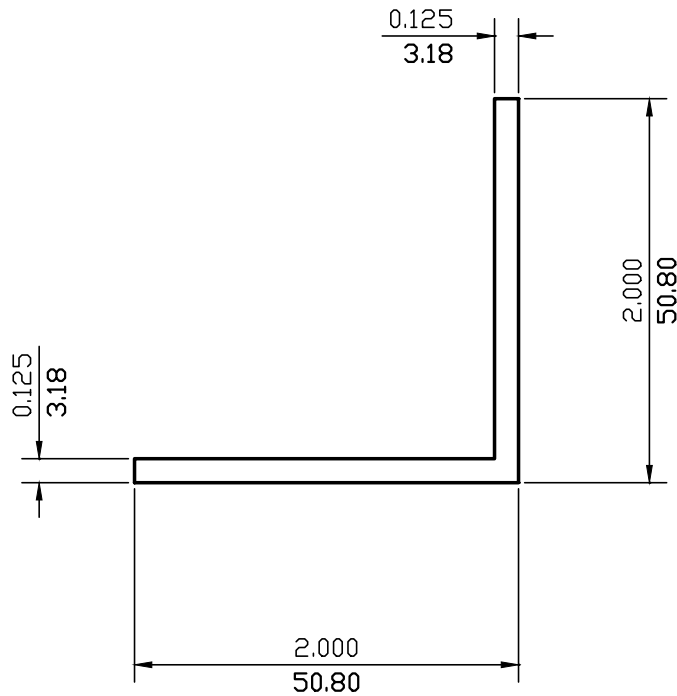
DESCRIPTION

2" x 2" x 1/8" ANGLE

PROPOSAL No.

S-7727

NOTE: BREAK ALL CORNERS WITH 0.015" (.38 MM) RADIUS UNLESS OTHERWISE NOTED. STANDARD TOLERANCES TO APPLY UNLESS OTHERWISE SPECIFIED.



WALL THICKNESS 0.125 (3.18) EXCEPT AS SHOWN

DATE	REV	DESCRIPTION		BY
EST.AREA	0.484	IN. ²	EST.AREA	312.502
EST.WT.	0.572	LBS./FT.	EST.WT.	0.851
EST.PER.	8.000	IN.	EST.PER.	203.200
OUT PER.		IN.	OUT PER.	
C.C.D.	2.828	IN.	C.C.D.	71.842
FACTOR	14	FINISH	M/F	ALLOY & TEMP.
CKD BY		SCALE	1:1	DWN BY C.P. DATE 05/28/98

CAN ART

ALUMINUM EXTRUSION INC.

85 PARKSHORE DRIVE
BRAMPTON, ONT L6T 5M1
TEL. NO. (905) 791-1464
FAX NO. (905) 791-9151
E-MAIL: canart@canart.com

THIS DRAWING IS NOT NECESSARILY A COPY OF YOUR ORIGINAL. PLEASE APPROVE DIMENSIONS AND TOLERANCES INDICATED. CAN ART ASSUMES NO RESPONSIBILITY EITHER TECHNICAL OR LEGAL FOR HAVING THIS SHAPE MADE. THE CUSTOMER AGREES TO FULLY PROTECT CAN ART ALUMINUM FROM CLAIMS OF OTHERS RESULTING FROM THIS SHAPE.

SIGNED: _____ DATE: _____