

CUSTOMER PART No.

CUSTOMER

**CAN ART STD.**

DIE No.

ES05430

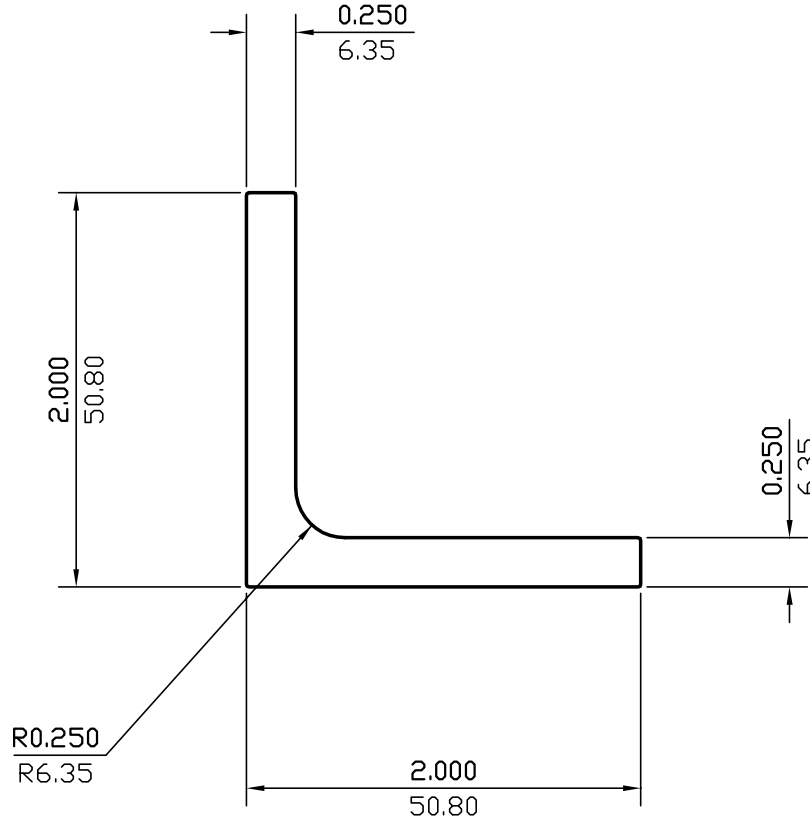
DESCRIPTION

2" x 2" x 0.250" THK. ANGLE

PROPOSAL No.

S-3362

NOTE: BREAK ALL CORNERS WITH 0.015" (.38 MM) RADIUS UNLESS OTHERWISE SPECIFIED. STANDARD TOLERANCES TO APPLY UNLESS OTHERWISE SPECIFIED.



WALL THICKNESS 0.250 (6.35) EXCEPT AS SHOWN

DATE	REV	DESCRIPTION	BY		
08/20/99	1	REDRAWN	P.M.		
EST.AREA	0.951	IN. <sup>2</sup>	EST.AREA	613	MM. <sup>2</sup>
EST.WT.	1.122	LBS/FT.	EST.WT.	1.670	KG/M.
EST.PER.	7.893	IN.	EST.PER.	200.5	MM.
OUT PER.		IN.	OUT PER.		MM.
C.C.D.	2.828	IN.	C.C.D.	72	MM.
FACTOR	7	FINISH	M/F	ALLOY & TEMP.	6061
CKD BY		SCALE	1:1	DWN BY	C.P. DATE 11/18/93

**CAN ART**

ALUMINUM EXTRUSION INC.

85 PARKSHORE DRIVE  
BRAMPTON, ONT L6T 5M1  
TEL. NO. (905) 791-1464  
FAX NO. (905) 791-9151  
E-MAIL: canart@canart.com

THIS DRAWING IS NOT NECESSARILY A COPY OF YOUR ORIGINAL. PLEASE APPROVE DIMENSIONS AND TOLERANCES INDICATED. CAN ART ASSUMES NO RESPONSIBILITY EITHER TECHNICAL OR LEGAL FOR HAVING THIS SHAPE MADE. THE CUSTOMER AGREES TO FULLY PROTECT CAN ART ALUMINUM FROM CLAIMS OF OTHERS RESULTING FROM THIS SHAPE.

SIGNED: \_\_\_\_\_ DATE: \_\_\_\_\_