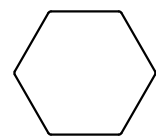
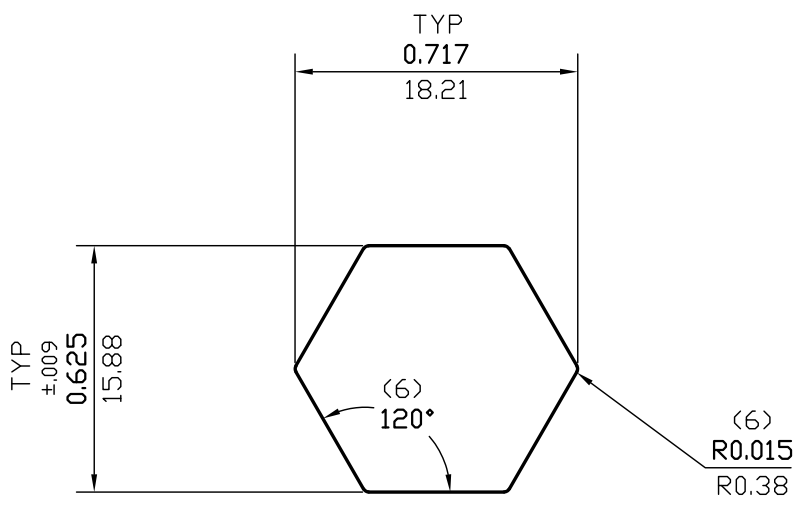


NOTE: BREAK ALL CORNERS WITH 0.015" (.38 MM) RADIUS UNLESS OTHERWISE NOTED. STANDARD TOLERANCES TO APPLY UNLESS OTHERWISE SPECIFIED.

CUSTOMER	CAN ART STD.	DIE No.	ES04006	REV. No.	1
DESCRIPTION	5/8" HEX BAR	CUSTOMER PART No.	QUOTE No.	PROPOSAL No.	
			12-1104-1	S-27101	



ACTUAL SIZE

WALL THICKNESS (AS SHOWN) EXCEPT AS SHOWN

DATE	REV	DESCRIPTION	BY		
03/17/23	1	REMOVED ALLOY	JASON		
EST.AREA	0.338	IN. ²	EST.AREA	218.207	MM. ²
EST.WT.	0.399	LBS./FT.	EST.WT.	0.594	KG/M.
EST.PER.	2.155	IN.	EST.PER.	54.747	MM.
OUT PER.		IN.	OUT PER.		MM.
C.C.D.	0.717	IN.	C.C.D.	18.213	MM.
FINISH	M/F		ALLOY		
CKD BY	FACTOR	5	SCALE	2:1	DWN BY P.M. DATE 11/07/2012

CAN ART

ALUMINUM EXTRUSION INC.

85 PARKSHORE DRIVE
BRAMPTON, ONT L6T 5M1
TEL. NO. (905) 791-1464
FAX NO. (905) 791-9151
WEB: www.canart.com

THIS DRAWING IS NOT NECESSARILY A COPY OF YOUR ORIGINAL. PLEASE APPROVE DIMENSIONS AND TOLERANCES INDICATED. CAN ART ASSUMES NO RESPONSIBILITY EITHER TECHNICAL OR LEGAL FOR HAVING THIS SHAPE MADE. THE CUSTOMER AGREES TO FULLY PROTECT CAN ART ALUMINUM FROM CLAIMS OF OTHERS RESULTING FROM THIS SHAPE.

SIGNED: _____ DATE: _____