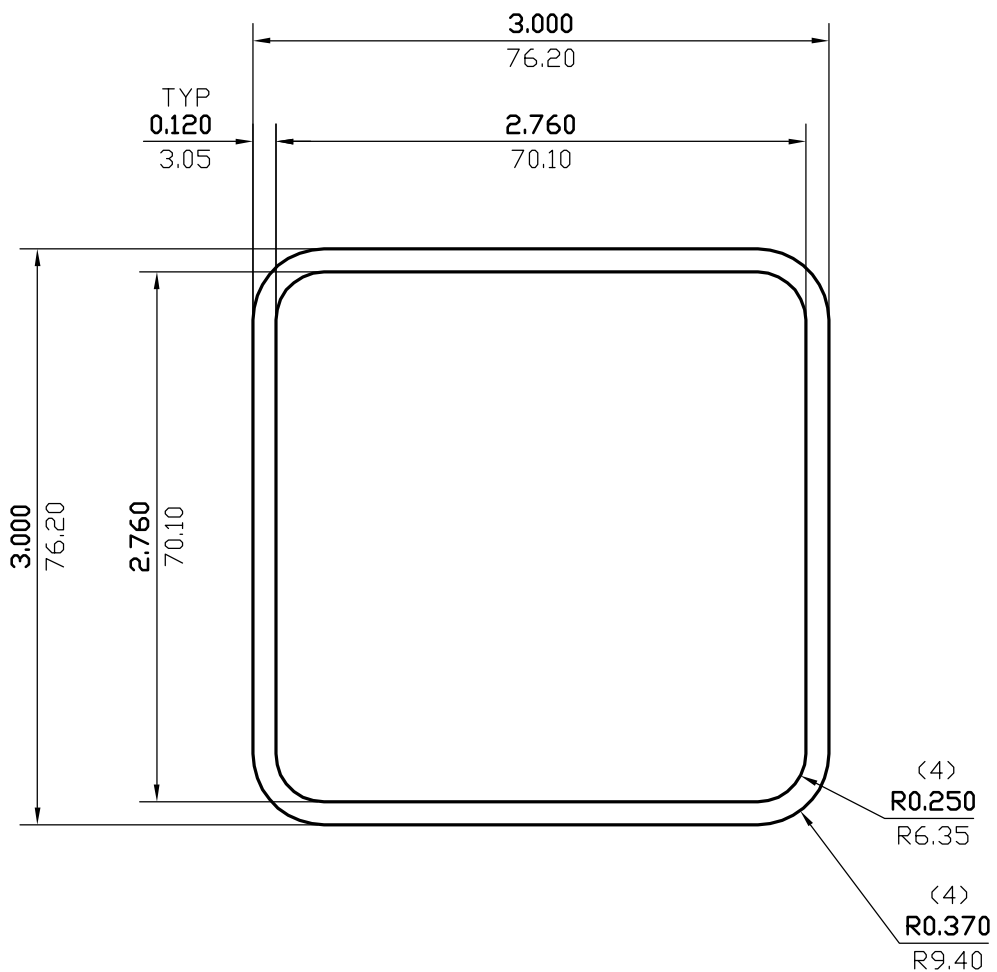


CUSTOMER CAN ART STD.		DIE No. EH05926	REV. No. 0
DESCRIPTION 3.000 x 0.120 THK. SQ. TUBE w/ ROUNDED CORNERS	CUSTOMER PART No.	QUOTE No. 09-0169-1	PROPOSAL No. H-20412

NOTE: BREAK ALL CORNERS WITH 0.015" (.38 MM) RADIUS UNLESS OTHERWISE NOTED. STANDARD TOLERANCES TO APPLY UNLESS OTHERWISE SPECIFIED.



WALL THICKNESS **0.120 (3.05)** EXCEPT AS SHOWN

DATE	REV	DESCRIPTION	BY
EST.AREA	1.319	IN. ²	EST.AREA 850.672 MM. ²
EST.WT.	1.556	LBS/FT.	EST.WT. 2.315 KG/M.
EST.PER.	21.976	IN.	EST.PER. 558.180 MM.
OUT PER.	11.365	IN.	OUT PER. 288.7 MM.
C.C.D.	3.936	IN.	C.C.D. 99.978 MM.
FINISH	M/F		ALLOY 6063
CKD BY	FACTOR 14	SCALE 1:1	DWN BY P.M. DATE 02/09/2009

CAN ART

85 PARKSHORE DRIVE
BRAMPTON, ONT L6T 5M1
TEL. NO. (905) 791-1464
FAX NO. (905) 791-9151
WEB: www.canart.com

ALUMINUM EXTRUSION INC.

THIS DRAWING IS NOT NECESSARILY A COPY OF YOUR ORIGINAL. PLEASE APPROVE DIMENSIONS AND TOLERANCES INDICATED. CAN ART ASSUMES NO RESPONSIBILITY EITHER TECHNICAL OR LEGAL FOR HAVING THIS SHAPE MADE. THE CUSTOMER AGREES TO FULLY PROTECT CAN ART ALUMINUM FROM CLAIMS OF OTHERS RESULTING FROM THIS SHAPE.

SIGNED: _____ DATE: _____