

CUSTOMER PART No.

CUSTOMER

CAN ART STD.

DIE No.

EH05586

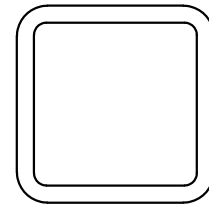
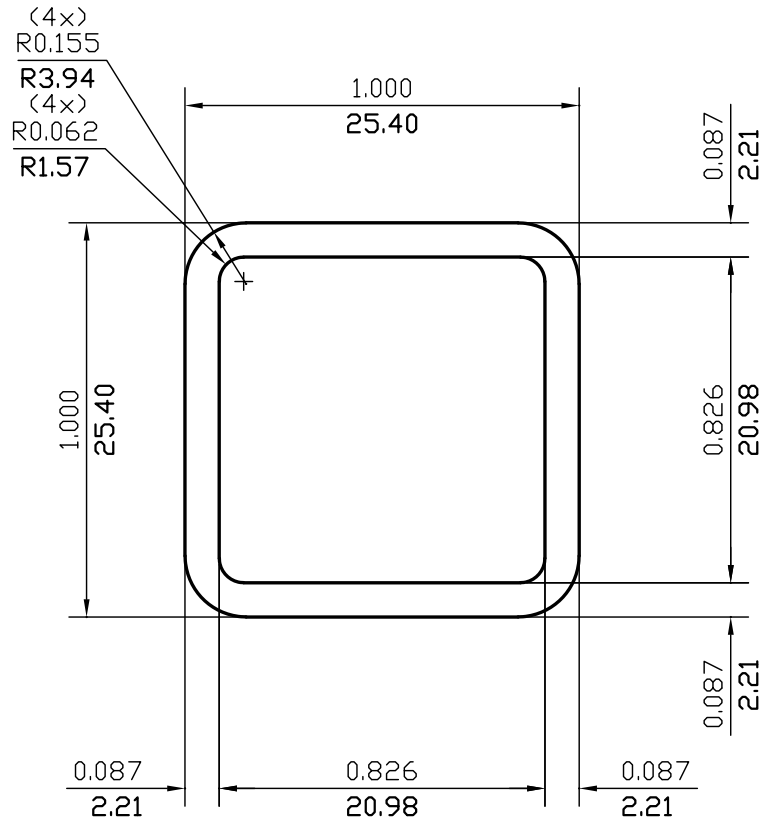
DESCRIPTION

1" x 1" x .087"THK. SQUARE TUBE R.C.

PROPOSAL No.

H-7098

NOTE: BREAK ALL CORNERS WITH 0.015" (.38 MM) RADIUS UNLESS OTHERWISE NOTED. STANDARD TOLERANCES TO APPLY UNLESS OTHERWISE SPECIFIED.



ACTUAL SIZE

WALL THICKNESS 0.087 (2.21) EXCEPT AS SHOWN

DATE	REV	DESCRIPTION	BY
03/13/23	2	REMOVED EXPOSED SURFACES AND ALLOY	JASON
09/26/00	1	UPDATED DRAWING	P.M.
EST.AREA	0.300	IN. ²	EST.AREA 193.808
			MM. ²
EST.WT.	0.354	LBS/FT.	EST.WT. 0.528
			KG/M.
EST.PER.	6.931	IN.	EST.PER. 176.059
			MM.
OUT PER.	3.734	IN.	OUT PER. 94.8
			MM.
C.C.D.	1.286	IN.	C.C.D. 32.660
			MM.
FACTOR	20	FINISH M/F	ALLOY & TEMP.
CKD BY	SCALE 2:1	DWN BY C.P.	DATE 11/21/97

CAN ART

ALUMINUM EXTRUSION INC.

85 PARKSHORE DRIVE
BRAMPTON, ONT L6T 5M1
TEL. NO. (905) 791-1464
FAX NO. (905) 791-9151
E-MAIL: canart@canart.com

THIS DRAWING IS NOT NECESSARILY A COPY OF YOUR ORIGINAL. PLEASE APPROVE DIMENSIONS AND TOLERANCES INDICATED. CAN ART ASSUMES NO RESPONSIBILITY EITHER TECHNICAL OR LEGAL FOR HAVING THIS SHAPE MADE. THE CUSTOMER AGREES TO FULLY PROTECT CAN ART ALUMINUM FROM CLAIMS OF OTHERS RESULTING FROM THIS SHAPE.

SIGNED: _____ DATE: _____