

CUSTOMER PART No.

CUSTOMER

CAN ART STD.

DIE No.

EH05550

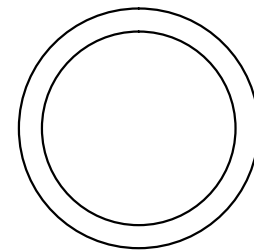
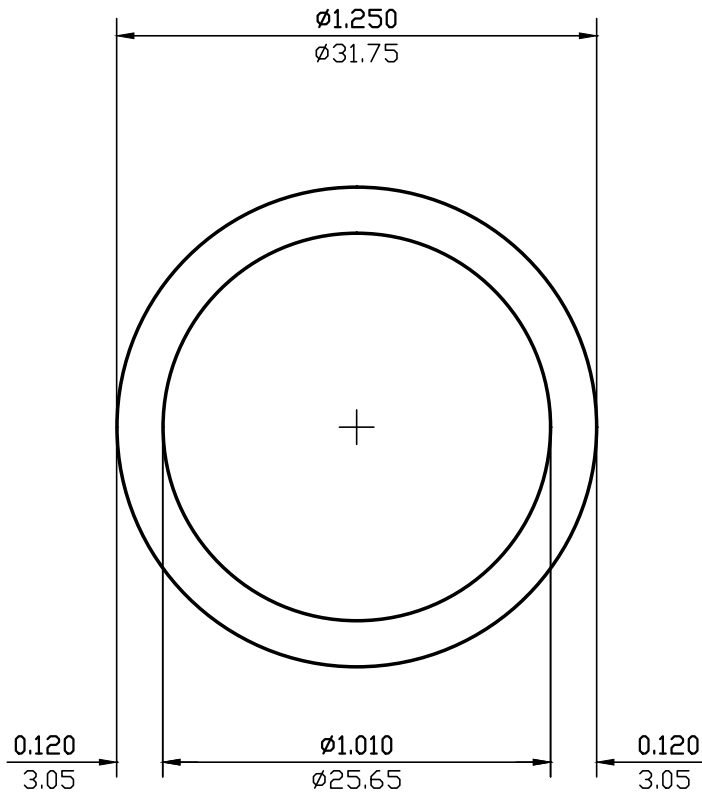
DESCRIPTION

1.250" O.D. x 0.120" THK. ROUND TUBE

PROPOSAL No.

H-6394

NOTE: BREAK ALL CORNERS WITH 0.015" (.38 MM) RADIUS UNLESS OTHERWISE NOTED. STANDARD TOLERANCES TO APPLY UNLESS OTHERWISE SPECIFIED.



ACTUAL SIZE

WALL THICKNESS 0.120 (3.05) EXCEPT AS SHOWN

DATE	REV	DESCRIPTION	BY
EST.AREA	0.426	IN. ²	EST.AREA 275
EST.WT.	0.503	LBS./FT.	EST.WT. 0.748
EST.PER.	7.100	IN.	EST.PER. 180.3
OUT PER.	3.927	IN.	OUT PER. 99.7
C.C.D.	1.250	IN.	C.C.D. 32
FACTOR	14	FINISH	M/F
CKD BY	SCALE	2:1	DWN BY C.P. DATE 04/30/97

CAN ART

ALUMINUM EXTRUSION INC.

85 PARKSHORE DRIVE
BRAMPTON, ONT L6T 5M1
TEL. NO. (905) 791-1464
FAX NO. (905) 791-9151
E-MAIL: canart@canart.com

THIS DRAWING IS NOT NECESSARILY A COPY OF YOUR ORIGINAL. PLEASE APPROVE DIMENSIONS AND TOLERANCES INDICATED. CAN ART ASSUMES NO RESPONSIBILITY EITHER TECHNICAL OR LEGAL FOR HAVING THIS SHAPE MADE. THE CUSTOMER AGREES TO FULLY PROTECT CAN ART ALUMINUM FROM CLAIMS OF OTHERS RESULTING FROM THIS SHAPE.

SIGNED: _____ DATE: _____