

CUSTOMER PART No.

CUSTOMER

CAN ART STD.

DIE No.

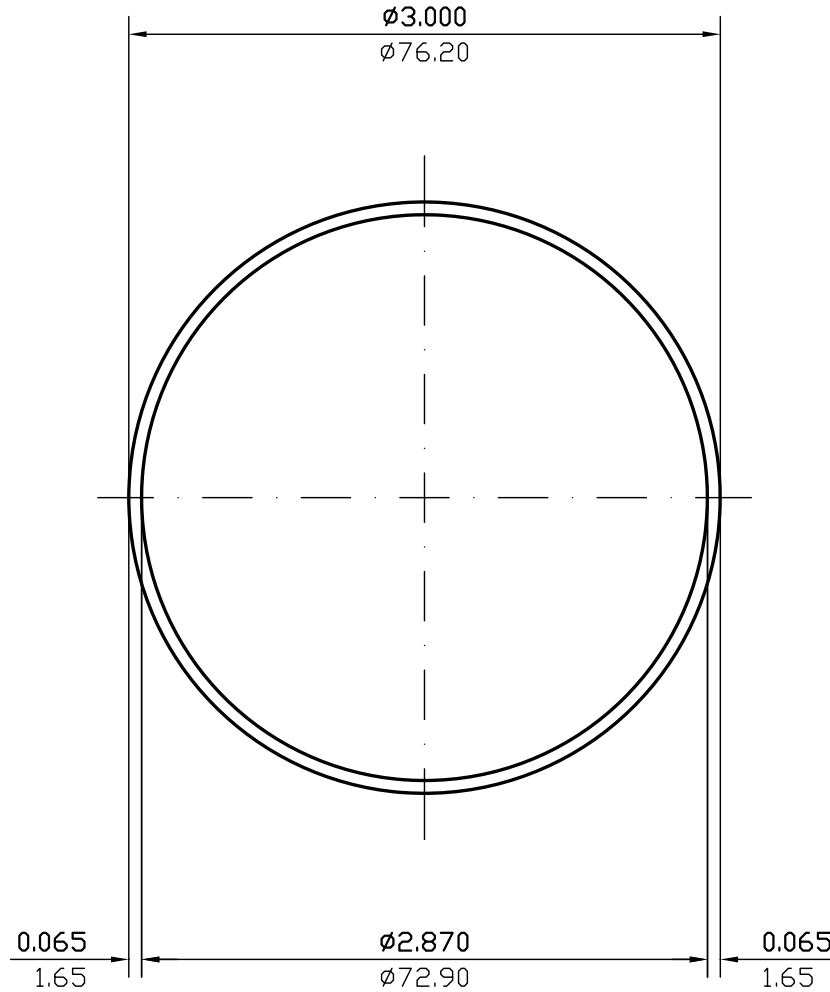
EH05253

DESCRIPTION

3.000" O.D. x 0.065" THK. ROUND TUBE

PROPOSAL No.

H-1904



NOTE: BREAK ALL CORNERS WITH 0.015" (.38 MM) RADIUS UNLESS OTHERWISE NOTED. STANDARD TOLERANCES TO APPLY UNLESS OTHERWISE SPECIFIED.

WALL THICKNESS 0.065 (1.65) EXCEPT AS SHOWN

DATE	REV	DESCRIPTION	BY
03/10/23	4	REMOVED EXPOSED SURFACES AND ALLOY	JASON
03/03/16	3	REVISED ALLOY.	P.M.

EST.AREA	0.599	IN. ²	EST.AREA	387	MM. ²
EST.WT.	0.707	LBS/FT.	EST.WT.	1.052	KG/M.
EST.PER.	18.441	IN.	EST.PER.	468.4	MM.
OUT PER.	9.425	IN.	OUT PER.	239.4	MM.
C.C.D.	3.000	IN.	C.C.D.	76	MM.
FACTOR	26	FINISH	M/F	ALLOY & TEMP.	
CKD BY		SCALE	1:1	DWN BY	J.D.
				DATE	03/12/91

CAN ART

ALUMINUM EXTRUSION INC.

85 PARKSHORE DRIVE
BRAMPTON, ONT L6T 5M1
TEL. NO. (905) 791-1464
FAX NO. (905) 791-9151
E-MAIL: canart@canart.com

THIS DRAWING IS NOT NECESSARILY A COPY OF YOUR ORIGINAL. PLEASE APPROVE DIMENSIONS AND TOLERANCES INDICATED. CAN ART ASSUMES NO RESPONSIBILITY EITHER TECHNICAL OR LEGAL FOR HAVING THIS SHAPE MADE. THE CUSTOMER AGREES TO FULLY PROTECT CAN ART ALUMINUM FROM CLAIMS OF OTHERS RESULTING FROM THIS SHAPE.

SIGNED: _____ DATE: _____