

CUSTOMER PART No.

CUSTOMER

CAN ART STD.

DIE No.

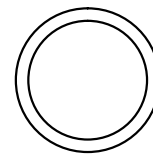
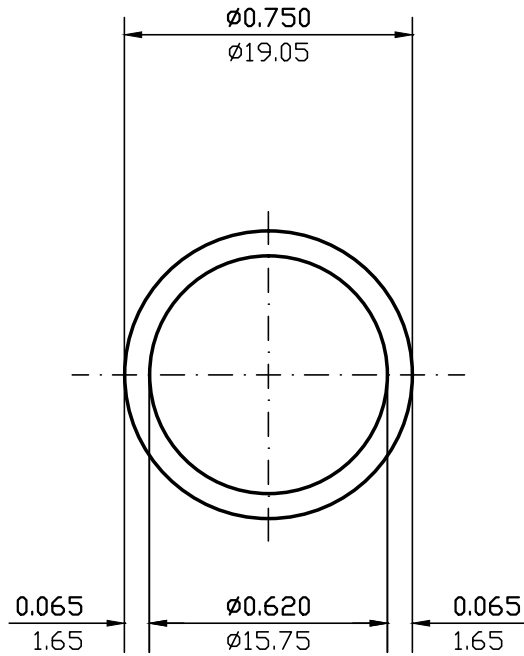
EH05140

DESCRIPTION

0.750" O.D. x 0.065" THK. ROUND TUBE

PROPOSAL No.

H-705



ACTUAL SIZE

NOTE: BREAK ALL CORNERS WITH 0.015" (.38 MM) RADIUS UNLESS OTHERWISE NOTED. STANDARD TOLERANCES TO APPLY UNLESS OTHERWISE SPECIFIED.

WALL THICKNESS 0.065 (1.65) EXCEPT AS SHOWN

DATE	REV	DESCRIPTION	BY
EST.AREA	0.140	IN. ²	EST.AREA 90
EST.WT.	0.165	LBS./FT.	EST.WT. 0.245
EST.PER.	4.316	IN.	EST.PER. 109.6
OUT PER.	2.356	IN.	OUT PER. 59.8
C.C.D.	0.750	IN.	C.C.D. 19
FACTOR	26	FINISH M/F	ALLOY & TEMP. 6063
CKD BY	SCALE 2:1	DWN BY G.M.	DATE 06/23/88

CAN ART

ALUMINUM EXTRUSION INC.

85 PARKSHORE DRIVE
BRAMPTON, ONT L6T 5M1
TEL. NO. (905) 791-1464
FAX NO. (905) 791-9151
E-MAIL: canart@canart.com

THIS DRAWING IS NOT NECESSARILY A COPY OF YOUR ORIGINAL. PLEASE APPROVE DIMENSIONS AND TOLERANCES INDICATED. CAN ART ASSUMES NO RESPONSIBILITY EITHER TECHNICAL OR LEGAL FOR HAVING THIS SHAPE MADE. THE CUSTOMER AGREES TO FULLY PROTECT CAN ART ALUMINUM FROM CLAIMS OF OTHERS RESULTING FROM THIS SHAPE.

SIGNED: _____ DATE: _____