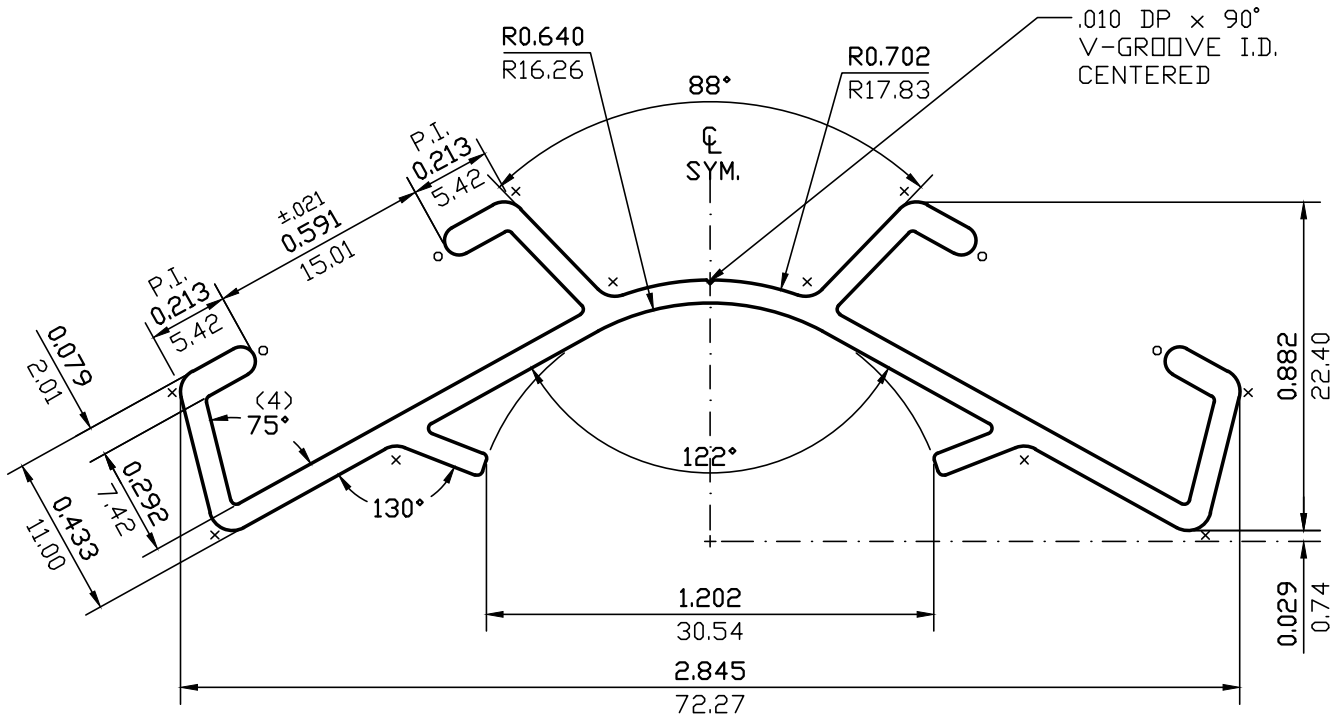


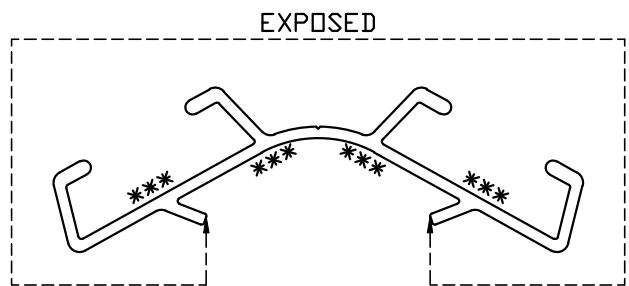
NOTE: BREAK ALL CORNERS WITH 0.015" (.38 MM) RADIUS UNLESS OTHERWISE NOTED. STANDARD TOLERANCES TO APPLY UNLESS OTHERWISE SPECIFIED.

CUSTOMER <b>CAN ART OPEN</b>		DIE No. <b>ES63649</b>	REV. No. <b>1</b>
DESCRIPTION <b>DOUBLE WIRELOCK PROFILE</b>	CUSTOMER PART No.	QUOTE No. <b>L12-0773</b>	PROPOSAL No. <b>S-62608</b>



(x) = R0.062 (R1.57) (10)  
 (o) = FULL R. (4)  
 UNMARKED RAD. = R0.015 (R0.38)

\*\*\* = SHADOW LINE MAY OCCUR.



WALL THICKNESS 0.062 (1.57) EXCEPT AS SHOWN

DATE	REV	DESCRIPTION	BY
09/18/2015	1	CHANGED TO CAN ART OPEN	J.T.
EST.AREA	0.352	IN. <sup>2</sup>	EST.AREA 227.157
EST.WT.	0.423	LBS/FT.	EST.WT. 0.629
EST.PER.	10.827	IN.	EST.PER. 275.009
OUT PER.		IN.	OUT PER.
C.C.D.	2.845	IN.	C.C.D. 72.271
FINISH	M/F	ALLOY	6005A-T61
CKD BY	FACTOR 26	SCALE 2:1	DWN BY G.W. DATE 10/05/2012

**CAN ART**

ALUMINUM EXTRUSION INC.

428 JUTRAS DRIVE S.  
 WINDSOR, ON N8N 5C5  
 TEL. NO. (519) 727-4399  
 FAX NO. (519) 727-6434  
 WEB: www.canart.com

THIS DRAWING IS NOT NECESSARILY A COPY OF YOUR ORIGINAL. PLEASE APPROVE DIMENSIONS AND TOLERANCES INDICATED. CAN ART ASSUMES NO RESPONSIBILITY EITHER TECHNICAL OR LEGAL FOR HAVING THIS SHAPE MADE. THE CUSTOMER AGREES TO FULLY PROTECT CAN ART ALUMINUM FROM CLAIMS OF OTHERS RESULTING FROM THIS SHAPE.

SIGNED: \_\_\_\_\_ DATE: \_\_\_\_\_