

# CAN ART

ALUMINUM EXTRUSION INC.

CUSTOMER

## CAN ART OPEN

DIE No.

ES17763

REV No.

0

DESCRIPTION

EXTERIOR SILL

CUSTOMER PART No.

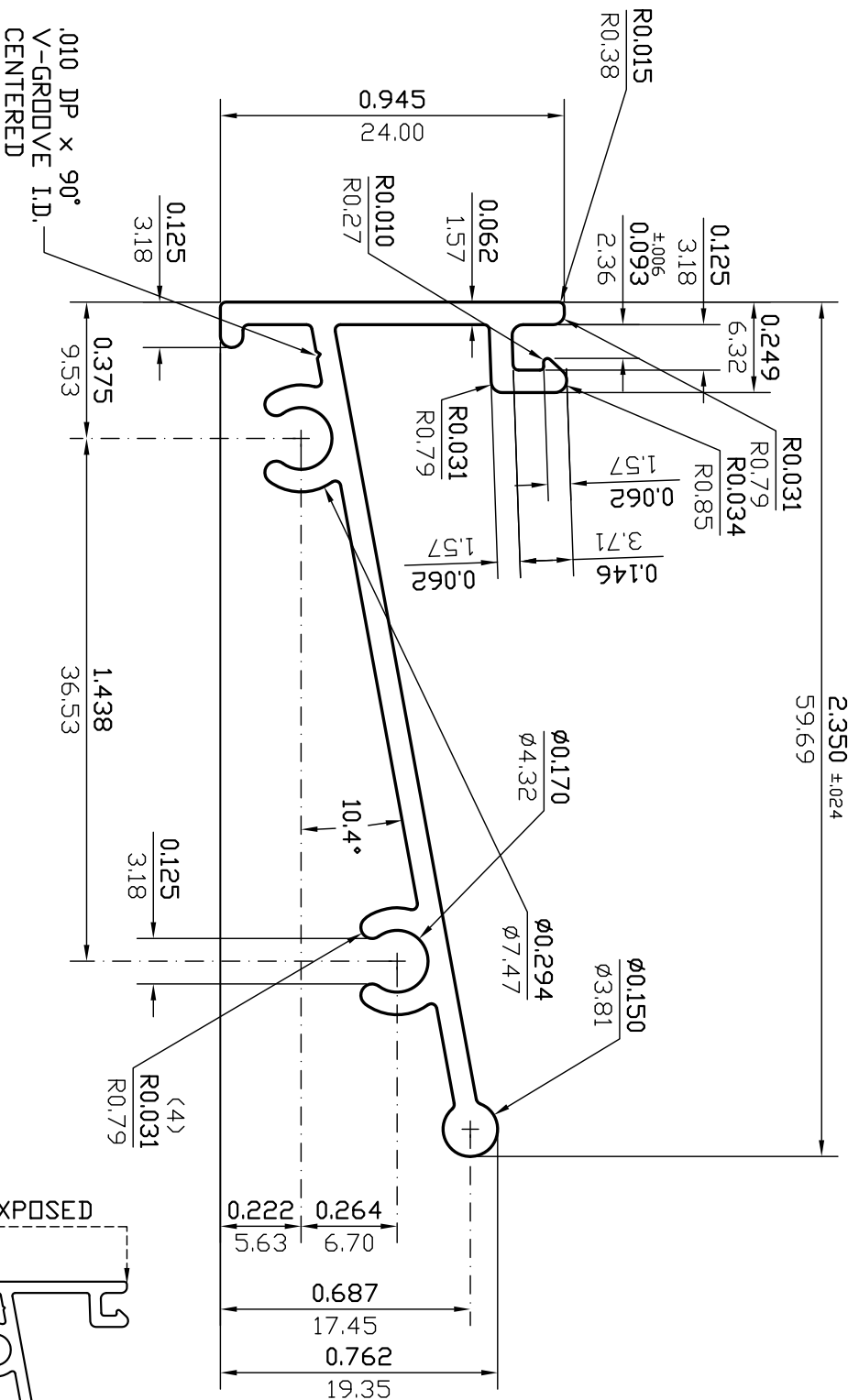
MS-51203

QUOTE No.

13-0952-6

PROPOSAL No.

S-29958



WALL THICKNESS 0.062(1.57) EXCEPT AS SHOWN

DATE	REV	DESCRIPTION	BY	EST. AREA	EST. WT.	IN <sup>2</sup>	EST. AREA	EST. WT.	MM <sup>2</sup>
				0.285	0.336	LBS./FT.	0.500	0.500	KG./M.
				8.712	8.712	IN.	221.294	221.294	MM.
				OUT PER.	OUT PER.	IN.	OUT PER.	OUT PER.	MM.
				C.C.D.	C.C.D.	IN.	C.C.D.	C.C.D.	MM.
				2.460	2.460	IN.	62.486	62.486	MM.
				FINISH	FINISH		ALLOY	ALLOY	
				PAIN	PAIN		6063	6063	
				OKD BY	FACTOR	SCALE	DWN BY	DATE	
				26	26	2:1	C.P.	04/17/2014	

85 PARKSHORE DRIVE  
BRAMPTON, ONT L6T 5M1

TEL. NO. (905) 791-1464  
FAX NO. (905) 791-9151  
WEB: www.canart.com

EST. AREA

EST. WT.

IN<sup>2</sup>

EST. AREA

EST. WT.

MM<sup>2</sup>

FINISH

OKD BY

FACTOR

SCALE

DWN BY

THIS DRAWING IS NOT NECESSARILY A COPY OF YOUR ORIGINAL. PLEASE APPROVE DIMENSIONS AND TOLERANCES INDICATED. CAN ART ASSUMES NO RESPONSIBILITY EITHER TECHNICAL OR LEGAL FOR HAVING THIS SHAPE MADE. THE CUSTOMER AGREES TO FULLY PROTECT CAN ART ALUMINUM FROM CLAIMS OF OTHERS RESULTING FROM THIS SHAPE.

SIGNED:

DATE:

