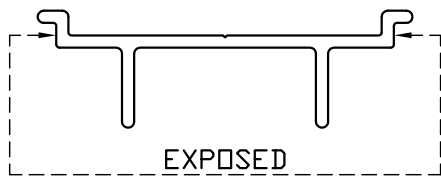
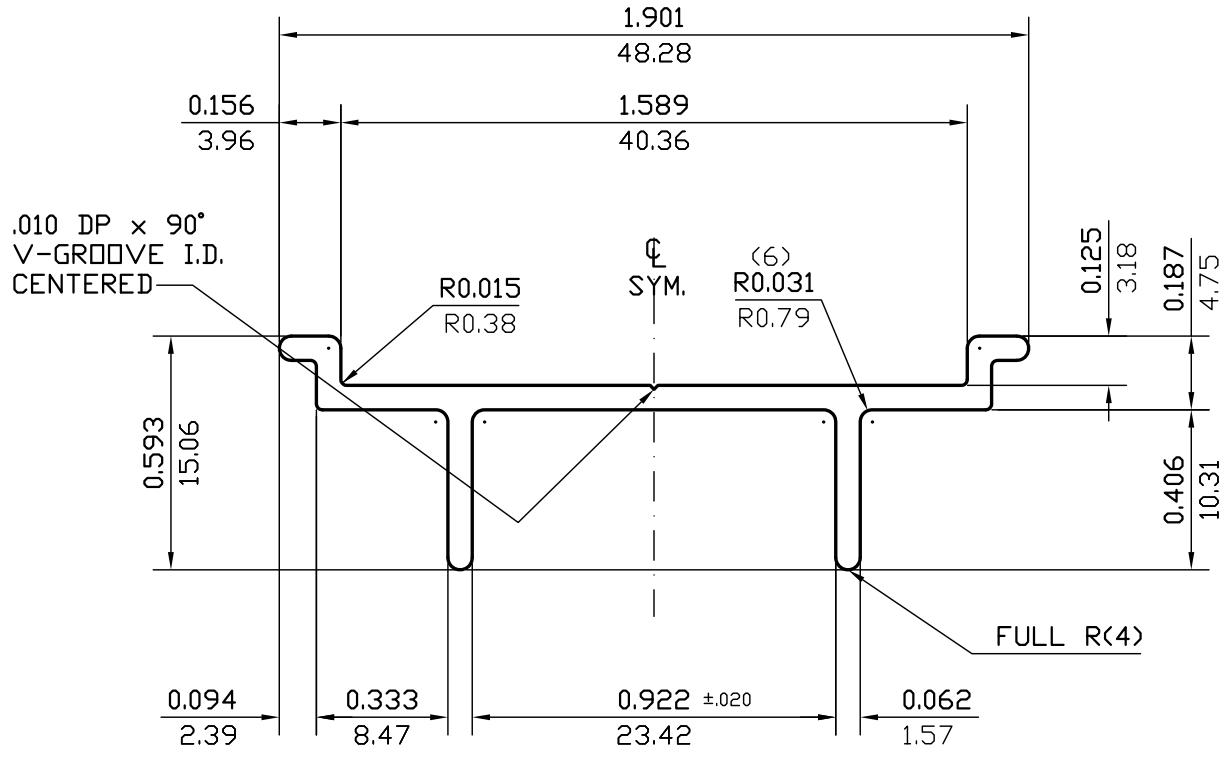


NOTE: BREAK ALL CORNERS WITH 0.015" (.38 MM) RADIUS UNLESS OTHERWISE NOTED. STANDARD TOLERANCES TO APPLY UNLESS OTHERWISE SPECIFIED.

CUSTOMER CAN ART OPEN	DIE No. ES17644	REV. No. 0
DESCRIPTION HEADER INSERT	CUSTOMER PART No.	QUOTE No. 14-0060-1
		PROPOSAL No. S-29435



ACTUAL SIZE

WALL THICKNESS **0.062(1.57)** EXCEPT AS SHOWN

DATE	REV	DESCRIPTION	BY
EST.AREA	0.182	IN. ²	EST.AREA 117.431 MM. ²
EST.WT.	0.215	LBS./FT.	EST.WT. 0.320 KG/M.
EST.PER.	5.825	IN.	EST.PER. 147.949 MM.
OUT PER.		IN.	OUT PER. MM.
C.C.D.	1.901	IN.	C.C.D. 48.280 MM.
FINISH	PAINT		ALLOY 6063
CKD BY	FACTOR 27	SCALE 2:1	DWN BY C.P. DATE 01/23/2014

CAN ART

ALUMINUM EXTRUSION INC.

85 PARKSHORE DRIVE
BRAMPTON, ONT L6T 5M1
TEL. NO. (905) 791-1464
FAX NO. (905) 791-9151
WEB: www.canart.com

THIS DRAWING IS NOT NECESSARILY A COPY OF YOUR ORIGINAL. PLEASE APPROVE DIMENSIONS AND TOLERANCES INDICATED. CAN ART ASSUMES NO RESPONSIBILITY EITHER TECHNICAL OR LEGAL FOR HAVING THIS SHAPE MADE. THE CUSTOMER AGREES TO FULLY PROTECT CAN ART ALUMINUM FROM CLAIMS OF OTHERS RESULTING FROM THIS SHAPE.

SIGNED: _____ DATE: _____