

CUSTOMER

CAN ART OPEN

DIE No.

ES17546

REV. No.

0

DESCRIPTION

BOTTOM FRAME

CUSTOMER PART No.

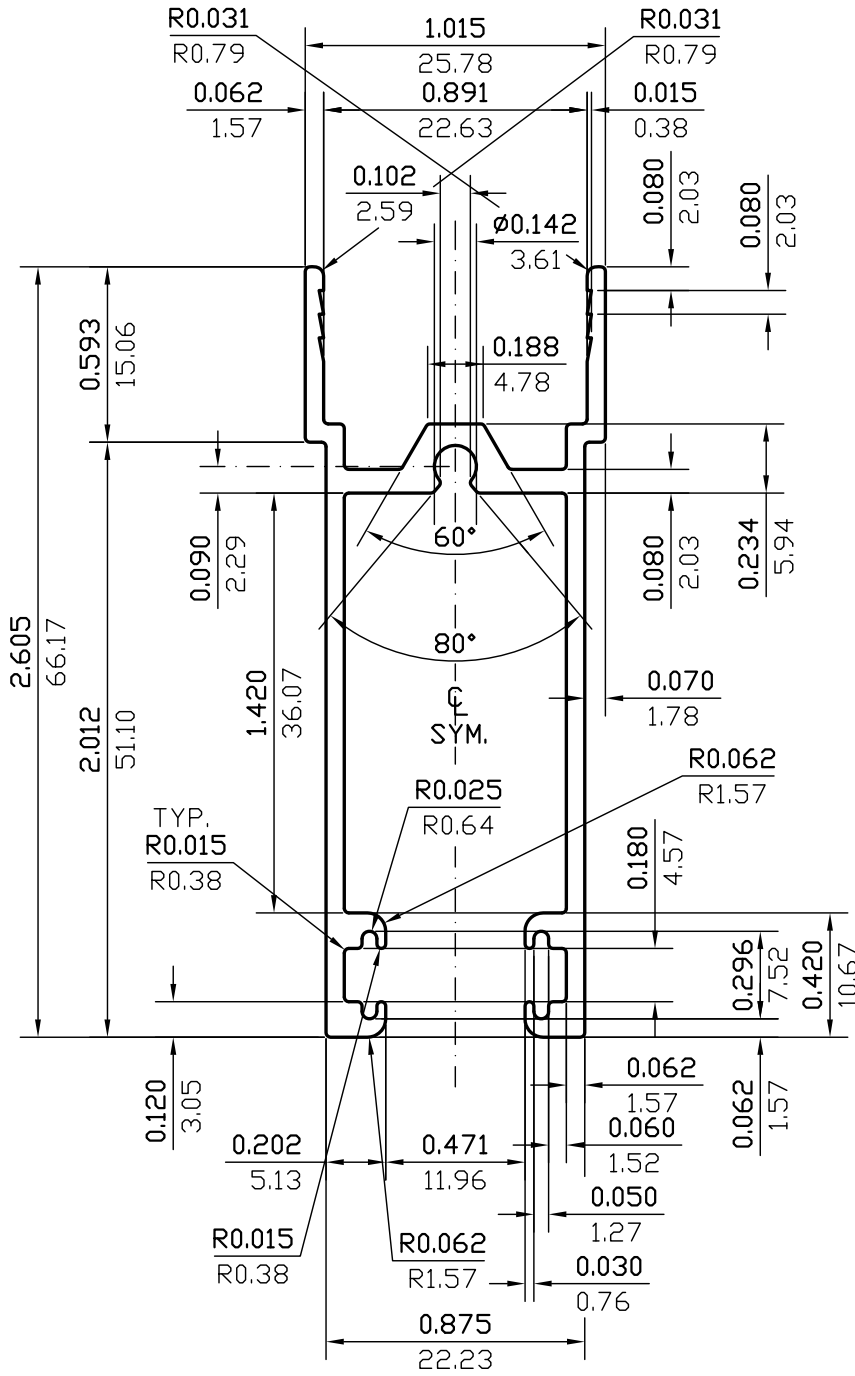
QUOTE No.

13-1004-12

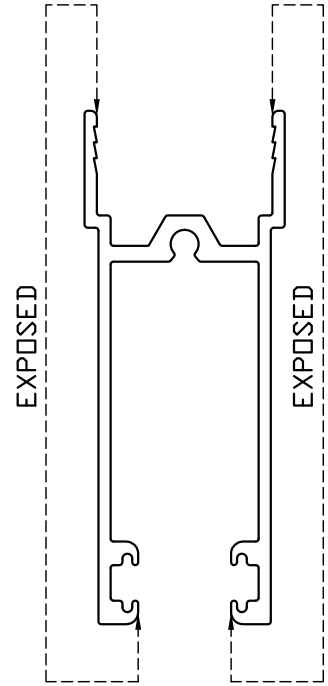
PROPOSAL No.

S-29221

NOTE: BREAK ALL CORNERS WITH 0.015" (.38 MM) RADIUS UNLESS OTHERWISE NOTED. STANDARD TOLERANCES TO APPLY UNLESS OTHERWISE SPECIFIED.



ACTUAL SIZE



WALL THICKNESS 0.062(1.57) EXCEPT AS SHOWN

| DATE | REV | DESCRIPTION | BY |
|----------|-----------|------------------|-----------------------------|
| | | | |
| | | | |
| EST.AREA | 0.464 | IN. ² | EST.AREA 299.547 |
| EST.WT. | 0.548 | LBS./FT. | EST.WT. 0.815 |
| EST.PER. | 13.983 | IN. | EST.PER. 355.160 |
| OUT PER. | | IN. | OUT PER. |
| C.C.D. | 2.763 | IN. | C.C.D. 70.169 |
| FINISH | PAINT | | ALLOY 6063 |
| CKD BY | FACTOR 26 | SCALE 1.5:1 | DWN BY C.P. DATE 12/10/2013 |

CAN ART

ALUMINUM EXTRUSION INC.

85 PARKSHORE DRIVE
BRAMPTON, ONT L6T 5M1
TEL. NO. (905) 791-1464
FAX NO. (905) 791-9151
WEB: www.canart.com

THIS DRAWING IS NOT NECESSARILY A COPY OF YOUR ORIGINAL. PLEASE APPROVE DIMENSIONS AND TOLERANCES INDICATED. CAN ART ASSUMES NO RESPONSIBILITY EITHER TECHNICAL OR LEGAL FOR HAVING THIS SHAPE MADE. THE CUSTOMER AGREES TO FULLY PROTECT CAN ART ALUMINUM FROM CLAIMS OF OTHERS RESULTING FROM THIS SHAPE.

SIGNED: _____ DATE: _____