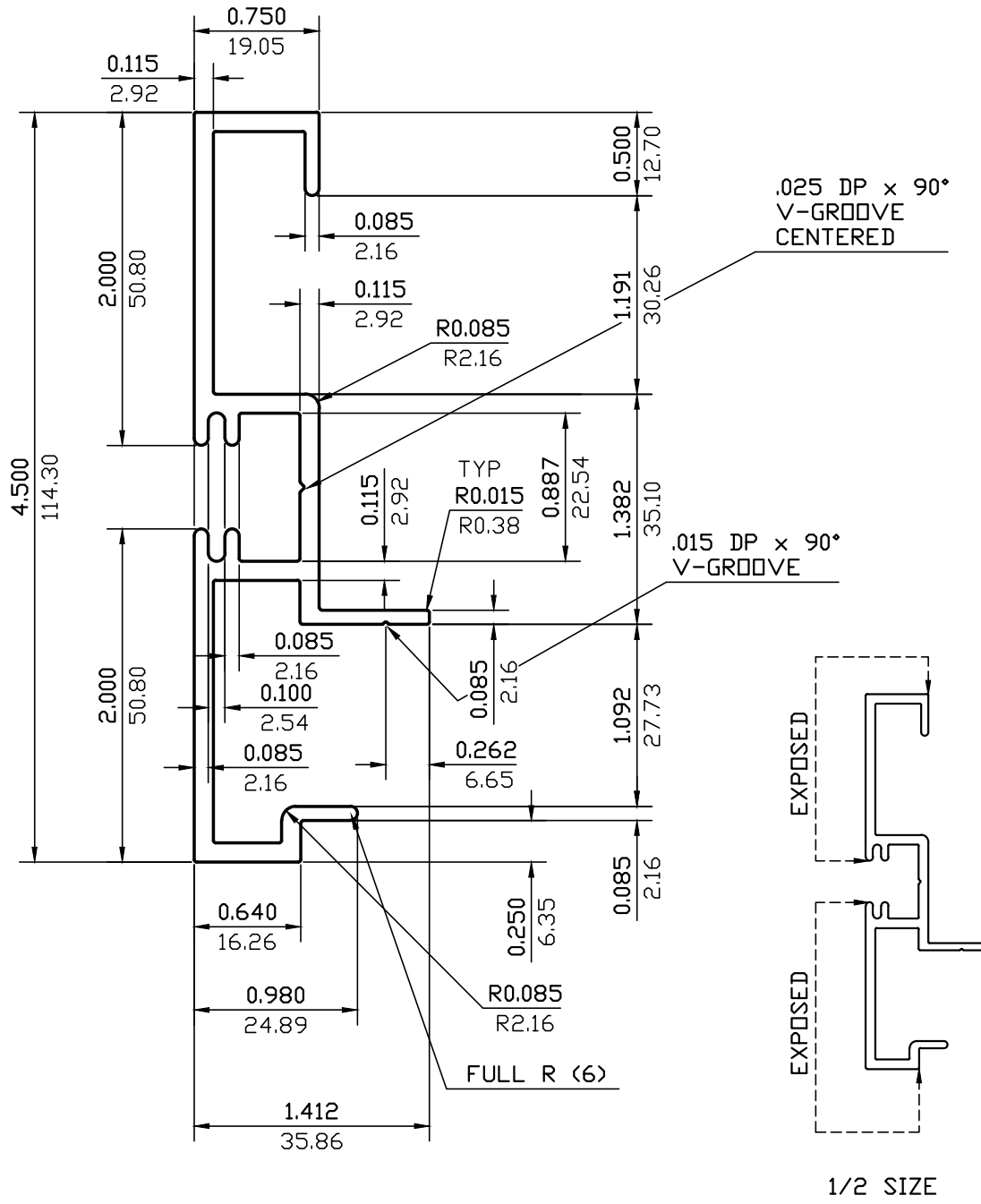


NOTE: BREAK ALL CORNERS WITH 0.015" (.38 MM) RADIUS UNLESS OTHERWISE NOTED. STANDARD TOLERANCES TO APPLY UNLESS OTHERWISE SPECIFIED.

CUSTOMER CAN ART OPEN		DIE No. ES14408	REV. No. 1
DESCRIPTION ADAPTOR	CUSTOMER PART No.	QUOTE No. 06-0709-1-R	PROPOSAL No. S-17345



WALL THICKNESS 0.115(2.92) EXCEPT AS SHOWN

DATE	REV	DESCRIPTION	BY	
EST.AREA	1.030	IN. ²	EST.AREA 664.481	MM. ²
EST.WT.	1.215	LBS./FT.	EST.WT. 1.809	KG/M.
EST.PER.	18.906	IN.	EST.PER. 480.218	MM.
OUT PER.		IN.	OUT PER.	MM.
C.C.D.	4.557	IN.	C.C.D. 115.754	MM.
FINISH	ANODIZED		ALLOY	6063
CKD BY	FACTOR 16	SCALE 1:1	DWN BY C.P.	DATE 10/18/2006

CAN ART

ALUMINUM EXTRUSION INC.

85 PARKSHORE DRIVE
BRAMPTON, ONT L6T 5M1
TEL. NO. (905) 791-1464
FAX NO. (905) 791-9151
WEB: www.canart.com

THIS DRAWING IS NOT NECESSARILY A COPY OF YOUR ORIGINAL. PLEASE APPROVE DIMENSIONS AND TOLERANCES INDICATED. CAN ART ASSUMES NO RESPONSIBILITY EITHER TECHNICAL OR LEGAL FOR HAVING THIS SHAPE MADE. THE CUSTOMER AGREES TO FULLY PROTECT CAN ART ALUMINUM FROM CLAIMS OF OTHERS RESULTING FROM THIS SHAPE.

SIGNED: _____ DATE: _____