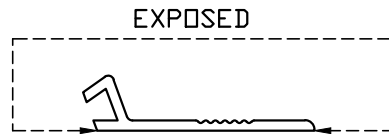
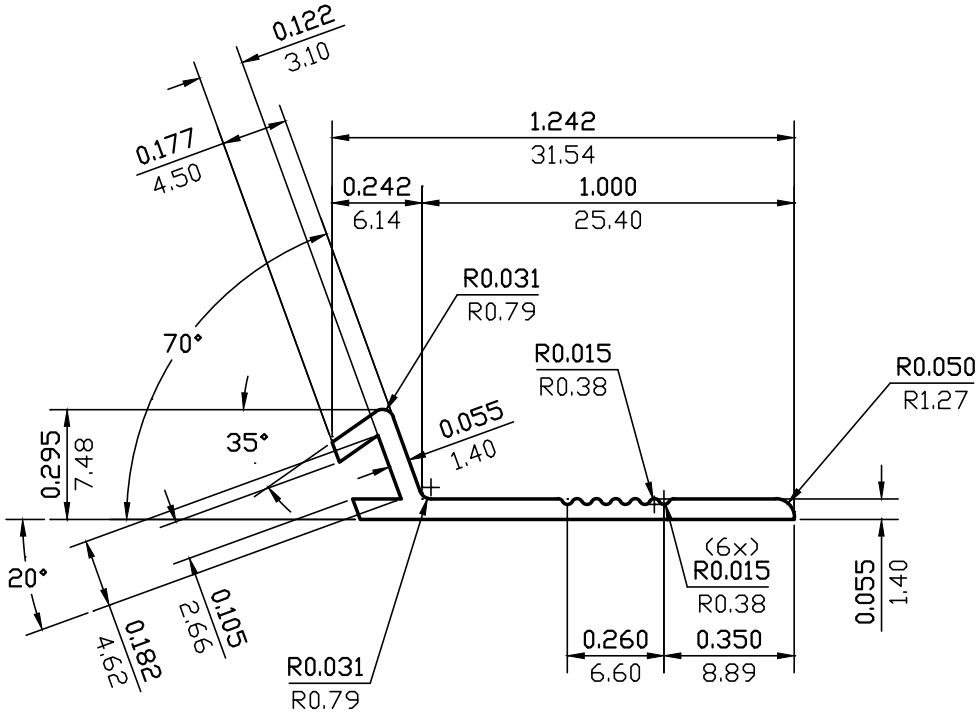


NOTE: BREAK ALL CORNERS WITH 0.015" (.38 MM) RADIUS UNLESS OTHERWISE NOTED. STANDARD TOLERANCES TO APPLY UNLESS OTHERWISE SPECIFIED.

CUSTOMER PART No.	CUSTOMER	CAN ART OPEN	DIE No.	ES09991
DESCRIPTION			PROPOSAL No.	
SWEEP			S-7961	



ACTUAL SIZE

WALL THICKNESS 0.055(1.40) EXCEPT AS SHOWN

DATE	REV	DESCRIPTION	BY
EST.AREA	0.083	IN. ²	EST.AREA 53.287
EST.WT.	0.097	LBS/FT.	EST.WT. 0.145
EST.PER.	3.245	IN.	EST.PER. 82.411
OUT PER.		IN.	OUT PER.
C.C.D.	1.259	IN.	C.C.D. 31.976
FACTOR	33	FINISH	PAINT
		ALLOY & TEMP.	6063-T5
CKD BY	SCALE	DWN BY	DATE
	2:1	C.P.	08/28/98

CAN ART

ALUMINUM EXTRUSION INC.

428 JUTRAS DRIVE S.
WINDSOR, ONT. N8N 5C5
TEL. NO. (519) 727-4399
FAX NO. (519) 727-6434
E-MAIL: canart@canart.com

THIS DRAWING IS NOT NECESSARILY A COPY OF YOUR ORIGINAL. PLEASE APPROVE DIMENSIONS AND TOLERANCES INDICATED. CAN ART ASSUMES NO RESPONSIBILITY EITHER TECHNICAL OR LEGAL FOR HAVING THIS SHAPE MADE. THE CUSTOMER AGREES TO FULLY PROTECT CAN ART ALUMINUM FROM CLAIMS OF OTHERS RESULTING FROM THIS SHAPE.

SIGNED: _____ DATE: _____