

CAN ART

ALUMINUM EXTRUSION INC.

CUSTOMER

CAN ART OPEN

CUSTOMER No.

DIE No.

ES08738

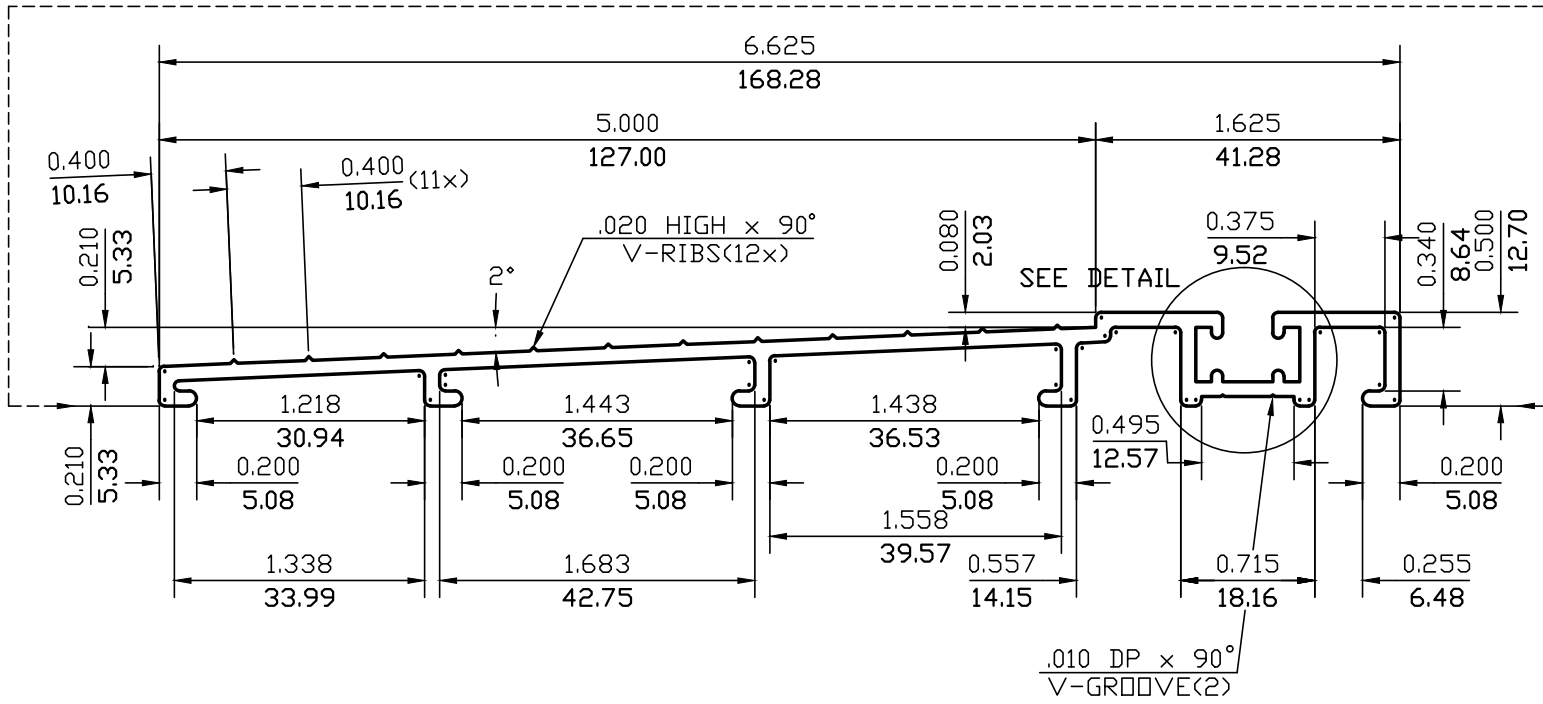
DESCRIPTION

6-5/8" SILL

PROPOSAL No.

S-5578

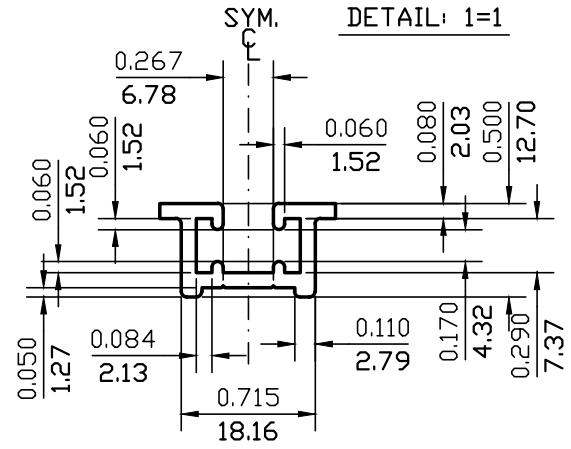
EXPOSED SURFACE



SEE DETAIL

.010 DP x 90°
V-GROOVE(2)

DETAIL: 1=1



(.) = R0.030(R0.76)
UNMARKED = FULL

NOTE: BREAK ALL CORNERS WITH 0.015" (.38 MM) RADIUS UNLESS OTHERWISE NOTED.

EST.AREA	0.799	IN ²
EST.AREA	516	MM ²
EST.WT.	0.943	LBS/FT
EST.WT.	1.404	KG/M
EST.PER.	19.742	IN.
EST.PER.	501.4	MM.
OUT PER.		IN
OUT PER.		MM
C.C.D.	6.640	IN
C.C.D.	169	MM
FACTOR	21	
SCALE	1:1	
DWN BY	C.P. CKD BY	
DATE	05/15/96	
UNM. THK.	0.080 (2.03)	

ALLOY & TEMP.	6063
EXT. RATIO	
FINISH	M/F

THIS DRAWING IS NOT NECESSARILY A COPY OF YOUR ORIGINAL. PLEASE APPROVE DIMENSIONS AND TOLERANCES INDICATED. CAN ART ASSUMES NO RESPONSIBILITY EITHER TECHNICAL OR LEGAL FOR HAVING THIS SHAPE MADE. THE CUSTOMER AGREES TO FULLY PROTECT CAN ART ALUMINUM FROM CLAIMS OF OTHERS RESULTING FROM THIS SHAPE.

PLEASE SIGN: _____

DATE: _____

STANDARD TOLERANCES TO APPLY UNLESS OTHERWISE SPECIFIED

DATE	SYM	REVISION	BY