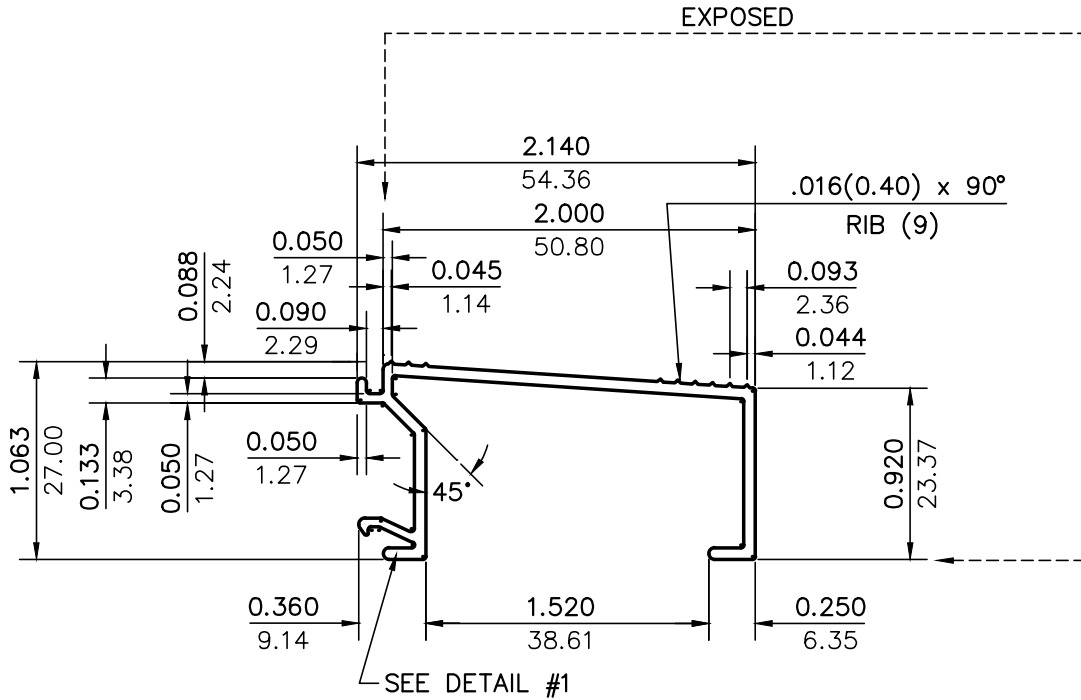
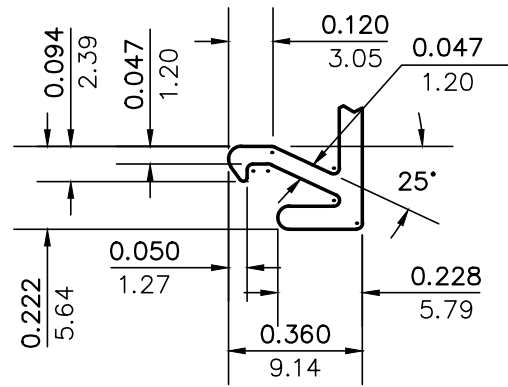


CUSTOMER <b>CAN ART OPEN</b>		DIE No. <b>ES07539</b>	REV. No. <b>4</b>
DESCRIPTION <b>2" SILL EXTENSION</b>	CUSTOMER PART No.	QUOTE No. <b>07-0509-2-R</b>	PROPOSAL No. <b>S-2774</b>

NOTE: BREAK ALL CORNERS WITH 0.015" (.38 MM) RADIUS UNLESS OTHERWISE NOTED. STANDARD TOLERANCES TO APPLY UNLESS OTHERWISE SPECIFIED.



(.) = R0.016 (R0.41)  
UNMARKED RAD = FULL



**DETAIL #1**  
SCALE: 2:1

WALL THICKNESS **0.062 (1.57)** EXCEPT AS SHOWN

DATE	REV	DESCRIPTION	BY
EST.AREA	<b>0.292</b>	IN. <sup>2</sup>	EST.AREA <b>188.641</b> MM. <sup>2</sup>
EST.WT.	<b>0.345</b>	LBS/FT.	EST.WT. <b>0.513</b> KG/M.
EST.PER.	<b>9.753</b>	IN.	EST.PER. <b>247.727</b> MM.
OUT PER.		IN.	OUT PER.  MM.
C.C.D.	<b>2.335</b>	IN.	C.C.D. <b>59.308</b> MM.
FINISH	<b>M/F</b>		ALLOY <b>6063</b>
CKD BY	FACTOR <b>28</b>	SCALE <b>1:1</b>	DWN BY <b>C.P.</b> DATE <b>01/18/1993</b>

**CAN ART**

ALUMINUM EXTRUSION INC.

85 PARKSHORE DRIVE  
BRAMPTON, ONT L6T 5M1  
TEL. NO. (905) 791-1464  
FAX NO. (905) 791-9151  
WEB: www.canart.com

THIS DRAWING IS NOT NECESSARILY A COPY OF YOUR ORIGINAL. PLEASE APPROVE DIMENSIONS AND TOLERANCES INDICATED. CAN ART ASSUMES NO RESPONSIBILITY EITHER TECHNICAL OR LEGAL FOR HAVING THIS SHAPE MADE. THE CUSTOMER AGREES TO FULLY PROTECT CAN ART ALUMINUM FROM CLAIMS OF OTHERS RESULTING FROM THIS SHAPE.

SIGNED: \_\_\_\_\_ DATE: \_\_\_\_\_