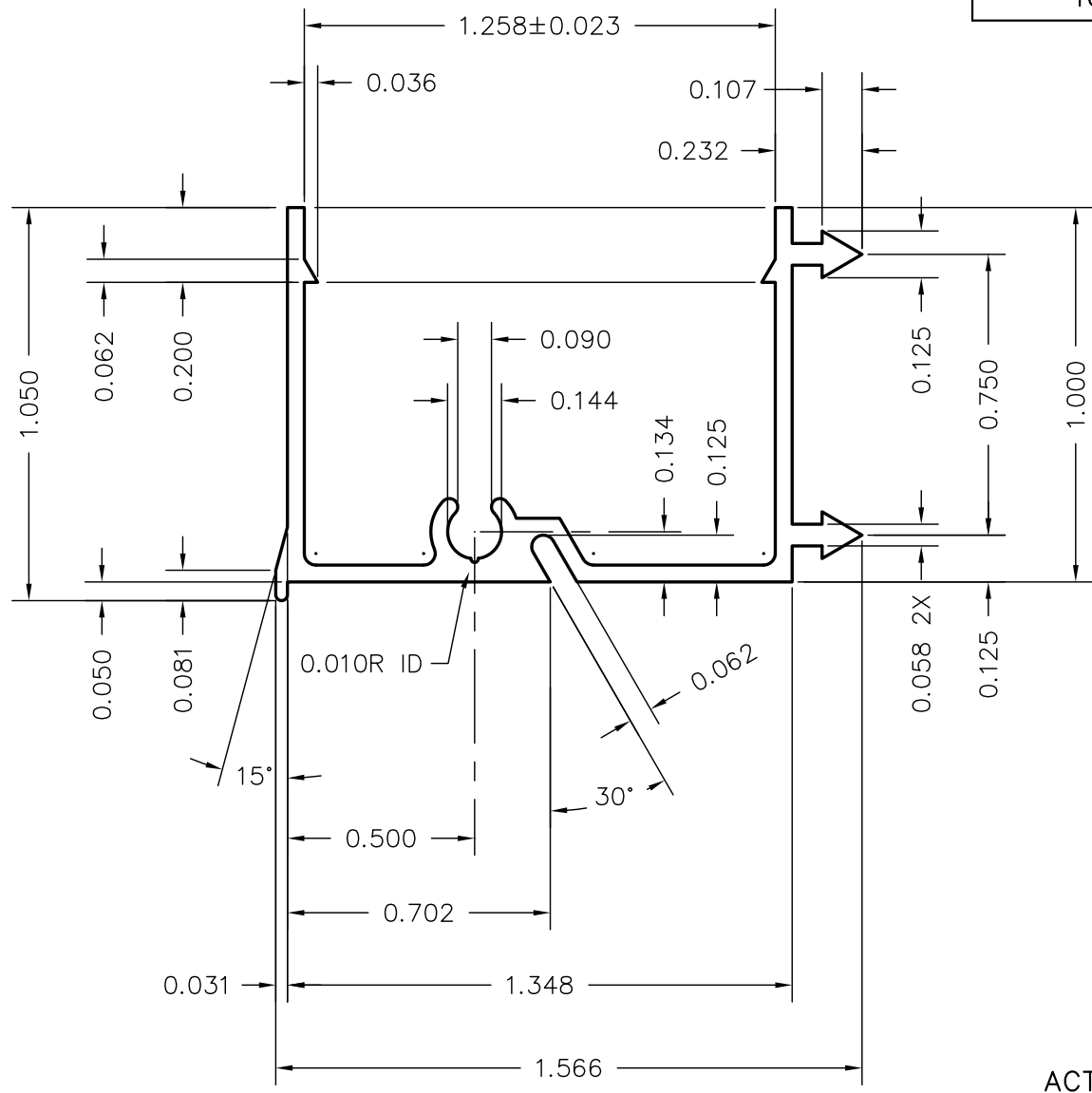
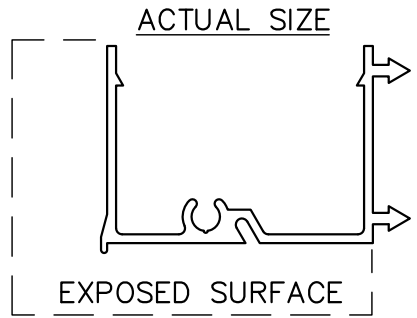


NOTE: BREAK ALL CORNERS WITH 0.015" (.38 MM) RADIUS UNLESS OTHERWISE NOTED. STANDARD TOLERANCES TO APPLY UNLESS OTHERWISE SPECIFIED.

CUSTOMER PART No.	CAN ART OPEN	DIE No. ES06915
DESCRIPTION CENTER MEETING RAIL		PROPOSAL No. S-1606
		QUOTE No. 16-0762-1-R-1



NOTE: (.) = 0.031R 4X
UNMARKED RAD = FULL



WALL THICKNESS **0.045 (1.14)** EXCEPT AS SHOWN

DATE	REV	DESCRIPTION	BY
06/28/16	2	CHANGED CUSTOMER NAME.	P.M.
10/14/00	1	UPDATED DRAWING	P.M.
EST.AREA	0.207	IN. ²	EST.AREA 133.280
			MM. ²
EST.WT.	0.244	LBS/FT.	EST.WT. 0.363
			KG/M.
EST.PER.	8.436	IN.	EST.PER. 214.275
			MM.
OUT PER.		IN.	OUT PER.
			MM.
C.C.D.	1.816	IN.	C.C.D. 46.127
			MM.
FACTOR	35	FINISH	PAINT
		ALLOY & TEMP.	6063-T5
CKD BY		SCALE	2:1
		DWN BY	G.M.
		DATE	06/14/90

CAN ART

ALUMINUM EXTRUSION INC.

85 PARKSHORE DRIVE
BRAMPTON, ONT L6T 5M1
TEL. NO. (905) 791-1464
FAX NO. (905) 791-9151
E-MAIL: canart@canart.com

THIS DRAWING IS NOT NECESSARILY A COPY OF YOUR ORIGINAL. PLEASE APPROVE DIMENSIONS AND TOLERANCES INDICATED. CAN ART ASSUMES NO RESPONSIBILITY EITHER TECHNICAL OR LEGAL FOR HAVING THIS SHAPE MADE. THE CUSTOMER AGREES TO FULLY PROTECT CAN ART ALUMINUM FROM CLAIMS OF OTHERS RESULTING FROM THIS SHAPE.

SIGNED: _____ DATE: _____