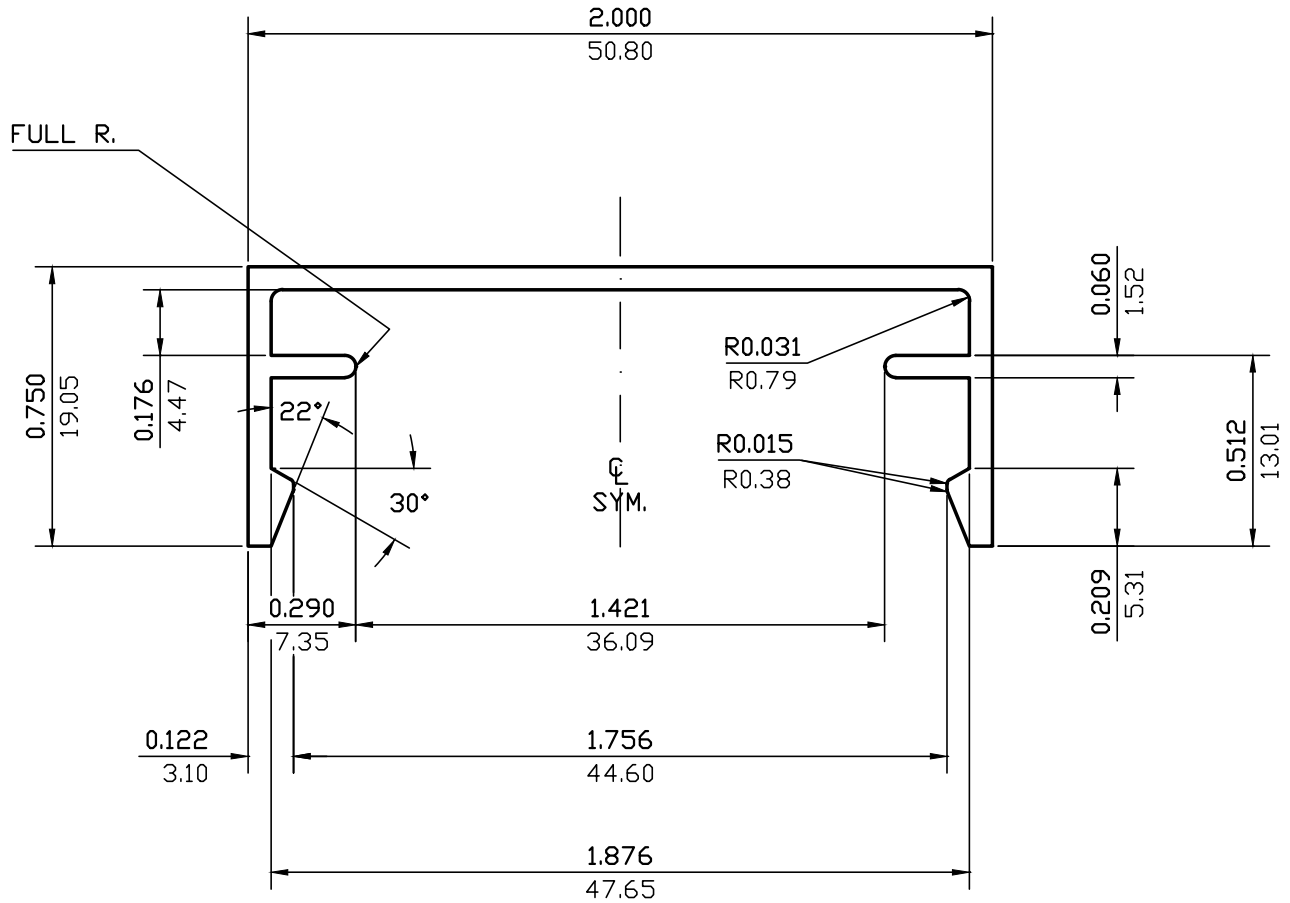


CUSTOMER PART No.	CUSTOMER CAN ART OPEN	DIE No. ES05285
DESCRIPTION CAP		PROPOSAL No. S-2281



NOTE: BREAK ALL CORNERS WITH 0.015" (.38 MM) RADIUS UNLESS OTHERWISE NOTED. STANDARD TOLERANCES TO APPLY UNLESS OTHERWISE SPECIFIED.

WALL THICKNESS 0.062 (1.58) EXCEPT AS SHOWN

DATE	REV	DESCRIPTION	BY
EST.AREA	0.250	IN. ²	EST.AREA 161
EST.WT.	0.295	LBS/FT.	EST.WT. 0.440
EST.PER.	7.797	IN.	EST.PER. 198.1
OUT PER.		IN.	OUT PER.
C.C.D.	2.136	IN.	C.C.D. 54
FACTOR	26	FINISH	ANODIZE
		ALLOY & TEMP.	6063
CKD BY	SCALE	DWN BY	DATE
	2:1	J.D.	12/02/91

CAN ART

ALUMINUM EXTRUSION INC.

85 PARKSHORE DRIVE
BRAMPTON, ONT L6T 5M1
TEL. NO. (905) 791-1464
FAX NO. (905) 791-9151
E-MAIL: canart@canart.com

THIS DRAWING IS NOT NECESSARILY A COPY OF YOUR ORIGINAL. PLEASE APPROVE DIMENSIONS AND TOLERANCES INDICATED. CAN ART ASSUMES NO RESPONSIBILITY EITHER TECHNICAL OR LEGAL FOR HAVING THIS SHAPE MADE. THE CUSTOMER AGREES TO FULLY PROTECT CAN ART ALUMINUM FROM CLAIMS OF OTHERS RESULTING FROM THIS SHAPE.

SIGNED: _____ DATE: _____