

CUSTOMER

**CAN ART OPEN**

DIE No.

EH62264

REV. No.

0

DESCRIPTION

3" UNNOTCHED HDU

CUSTOMER PART No.

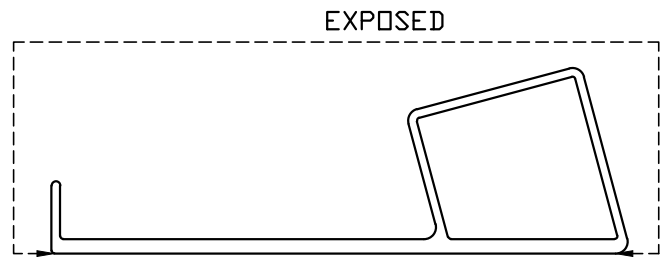
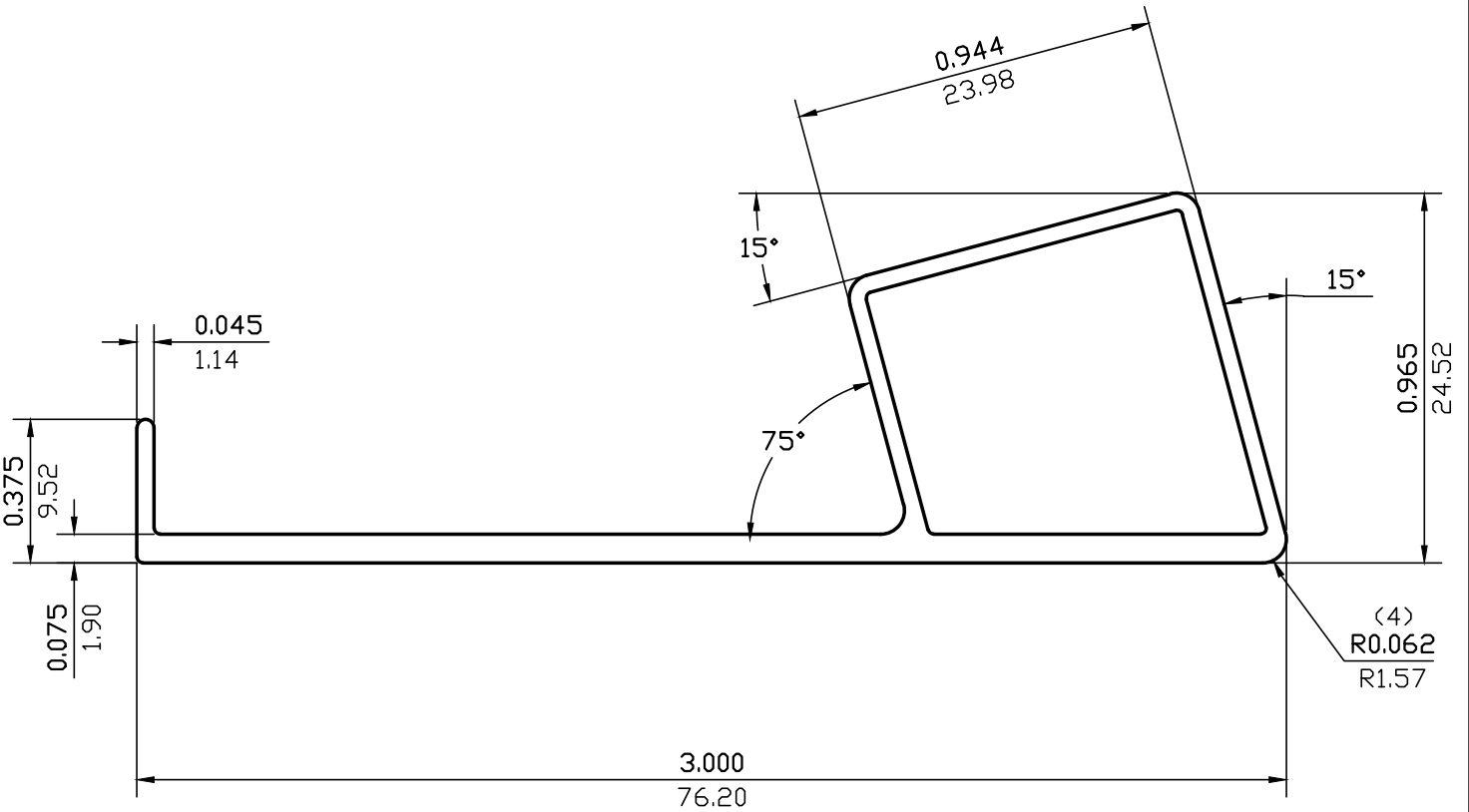
QUOTE No.

L09-0392

PROPOSAL No.

H-57854

NOTE: BREAK ALL CORNERS WITH 0.015" (.38 MM) RADIUS UNLESS OTHERWISE NOTED. STANDARD TOLERANCES TO APPLY UNLESS OTHERWISE SPECIFIED.



ACTUAL SIZE

WALL THICKNESS 0.040 (1.02) EXCEPT AS SHOWN

DATE	REV	DESCRIPTION		BY	
EST.AREA	0.349	IN. <sup>2</sup>	EST.AREA	225.038	MM. <sup>2</sup>
EST.WT.	0.419	LBS./FT.	EST.WT.	0.623	KG/M.
EST.PER.	11.415	IN.	EST.PER.	289.935	MM.
OUT PER.	8.175	IN.	OUT PER.	207.6	MM.
C.C.D.	3.015	IN.	C.C.D.	76.575	MM.
FINISH	M/F		ALLOY	6063	
CKD BY	FACTOR 27	SCALE 2:1	DWN BY J.T.	DATE 05/18/2009	

**CAN ART**

ALUMINUM EXTRUSION INC.

428 JUTRAS DRIVE S.  
WINDSOR, ON N8N 5C5  
TEL. NO. (519) 727-4399  
FAX NO. (519) 727-6434  
WEB: www.canart.com

THIS DRAWING IS NOT NECESSARILY A COPY OF YOUR ORIGINAL. PLEASE APPROVE DIMENSIONS AND TOLERANCES INDICATED. CAN ART ASSUMES NO RESPONSIBILITY EITHER TECHNICAL OR LEGAL FOR HAVING THIS SHAPE MADE. THE CUSTOMER AGREES TO FULLY PROTECT CAN ART ALUMINUM FROM CLAIMS OF OTHERS RESULTING FROM THIS SHAPE.

SIGNED: \_\_\_\_\_ DATE: \_\_\_\_\_