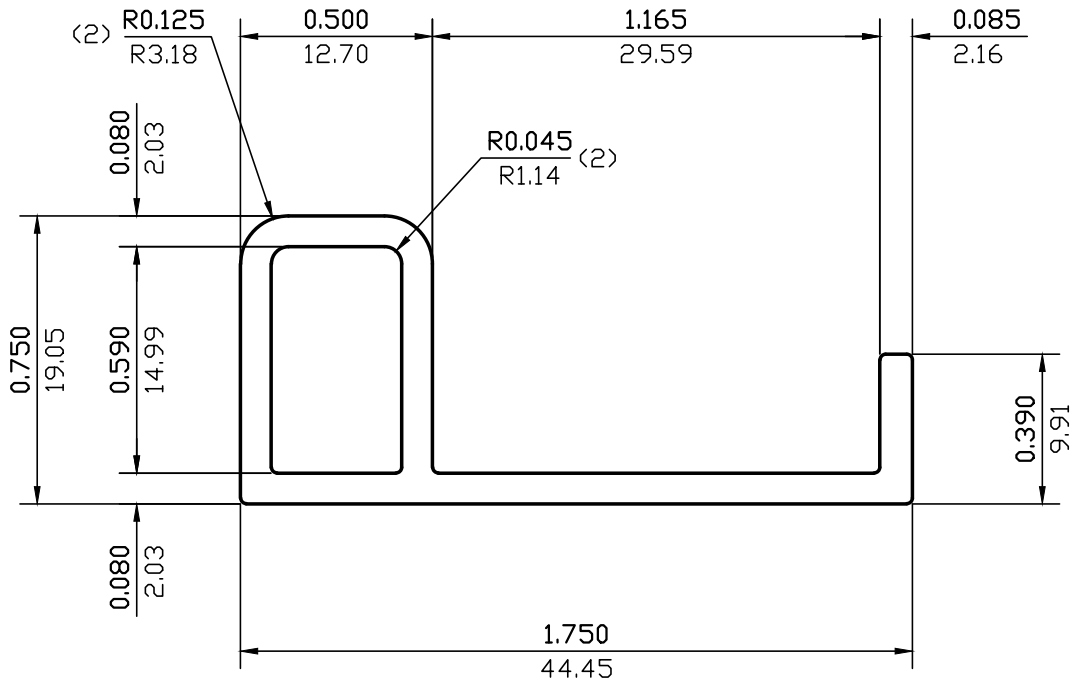
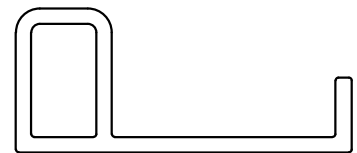


NOTE: BREAK ALL CORNERS WITH 0.015" (.38 MM) RADIUS UNLESS OTHERWISE NOTED. STANDARD TOLERANCES TO APPLY UNLESS OTHERWISE SPECIFIED.

CUSTOMER <b>CAN ART OPEN</b>		DIE No. <b>EH62242</b>	REV. No. <b>0</b>
DESCRIPTION 1-3/4" FTBR	CUSTOMER PART No.	QUOTE No. L09-0354	PROPOSAL No. H-57781



EXPOSED ALL AROUND



ACTUAL SIZE

WALL THICKNESS 0.080 (2.03) EXCEPT AS SHOWN

DATE	REV	DESCRIPTION	BY
EST.AREA	0.295	IN. <sup>2</sup>	EST.AREA 190.267
EST.WT.	0.354	LBS/FT.	EST.WT. 0.527
EST.PER.	7.283	IN.	EST.PER. 184.977
OUT PER.	5.474	IN.	OUT PER. 139.0
C.C.D.	1.862	IN.	C.C.D. 47.290
FINISH	M/F		ALLOY 6063
CKD BY	FACTOR 21	SCALE 2:1	DWN BY J.T. DATE 05/05/2009

# CAN ART

428 JUTRAS DRIVE S.  
WINDSOR, ON N8N 5C5  
TEL. NO. (519) 727-4399  
FAX NO. (519) 727-6434  
WEB: www.canart.com

ALUMINUM EXTRUSION INC.

THIS DRAWING IS NOT NECESSARILY A COPY OF YOUR ORIGINAL. PLEASE APPROVE DIMENSIONS AND TOLERANCES INDICATED. CAN ART ASSUMES NO RESPONSIBILITY EITHER TECHNICAL OR LEGAL FOR HAVING THIS SHAPE MADE. THE CUSTOMER AGREES TO FULLY PROTECT CAN ART ALUMINUM FROM CLAIMS OF OTHERS RESULTING FROM THIS SHAPE.

SIGNED: \_\_\_\_\_ DATE: \_\_\_\_\_