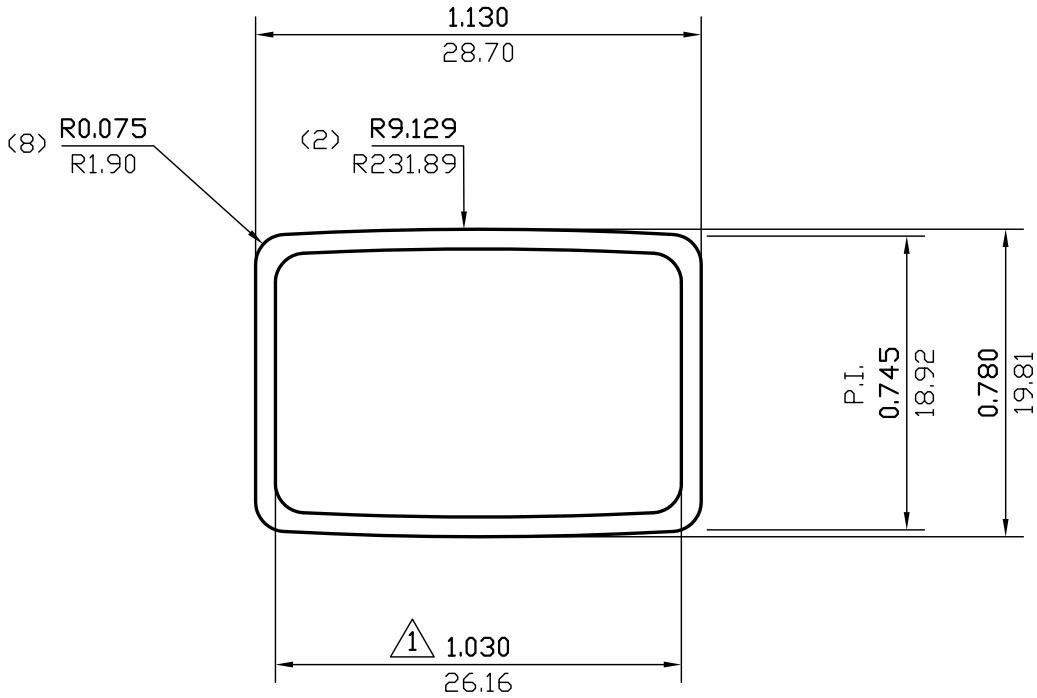
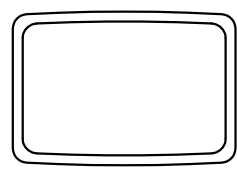


NOTE: BREAK ALL CORNERS WITH 0.015" (.38 MM) RADIUS UNLESS OTHERWISE NOTED. STANDARD TOLERANCES TO APPLY UNLESS OTHERWISE SPECIFIED.

CUSTOMER CAN ART OPEN	DIE No. EH61497	REV. No. 2
DESCRIPTION HOCKEY STICK	CUSTOMER PART No.	PROPOSAL No. H-52517



ALL EXTERNAL SURFACES EXPOSED



ACTUAL SIZE

WALL THICKNESS 0.050(1.27) EXCEPT AS SHOWN

DATE	REV	DESCRIPTION	BY
01/25/18	2	CHANGED CUST NAME.	PAUL
08/10/10	1	ADDED 1.030 DIM	J.T.
EST.AREA	0.178	IN. ²	EST.AREA 114.780
			MM. ²
EST.WT.	0.213	LBS/FT.	EST.WT. 0.318
			KG/M.
EST.PER.	6.888	IN.	EST.PER. 174.956
			MM.
OUT PER.	3.639	IN.	OUT PER. 92.4
			MM.
C.C.D.	1.281	IN.	C.C.D. 32.538
			MM.
FINISH	PAINT		ALLOY 6063/6005A-T6
CKD BY	FACTOR 32	SCALE 2:1	DWN BY L.G. DATE 05/03/2006

CAN ART

ALUMINUM EXTRUSION INC.

428 JUTRAS DRIVE S.
WINDSOR, ON N8N 5C5
TEL. NO. (519) 727-4399
FAX NO. (519) 727-6434
WEB: www.canart.com

THIS DRAWING IS NOT NECESSARILY A COPY OF YOUR ORIGINAL. PLEASE APPROVE DIMENSIONS AND TOLERANCES INDICATED. CAN ART ASSUMES NO RESPONSIBILITY EITHER TECHNICAL OR LEGAL FOR HAVING THIS SHAPE MADE. THE CUSTOMER AGREES TO FULLY PROTECT CAN ART ALUMINUM FROM CLAIMS OF OTHERS RESULTING FROM THIS SHAPE.

SIGNED: _____ DATE: _____